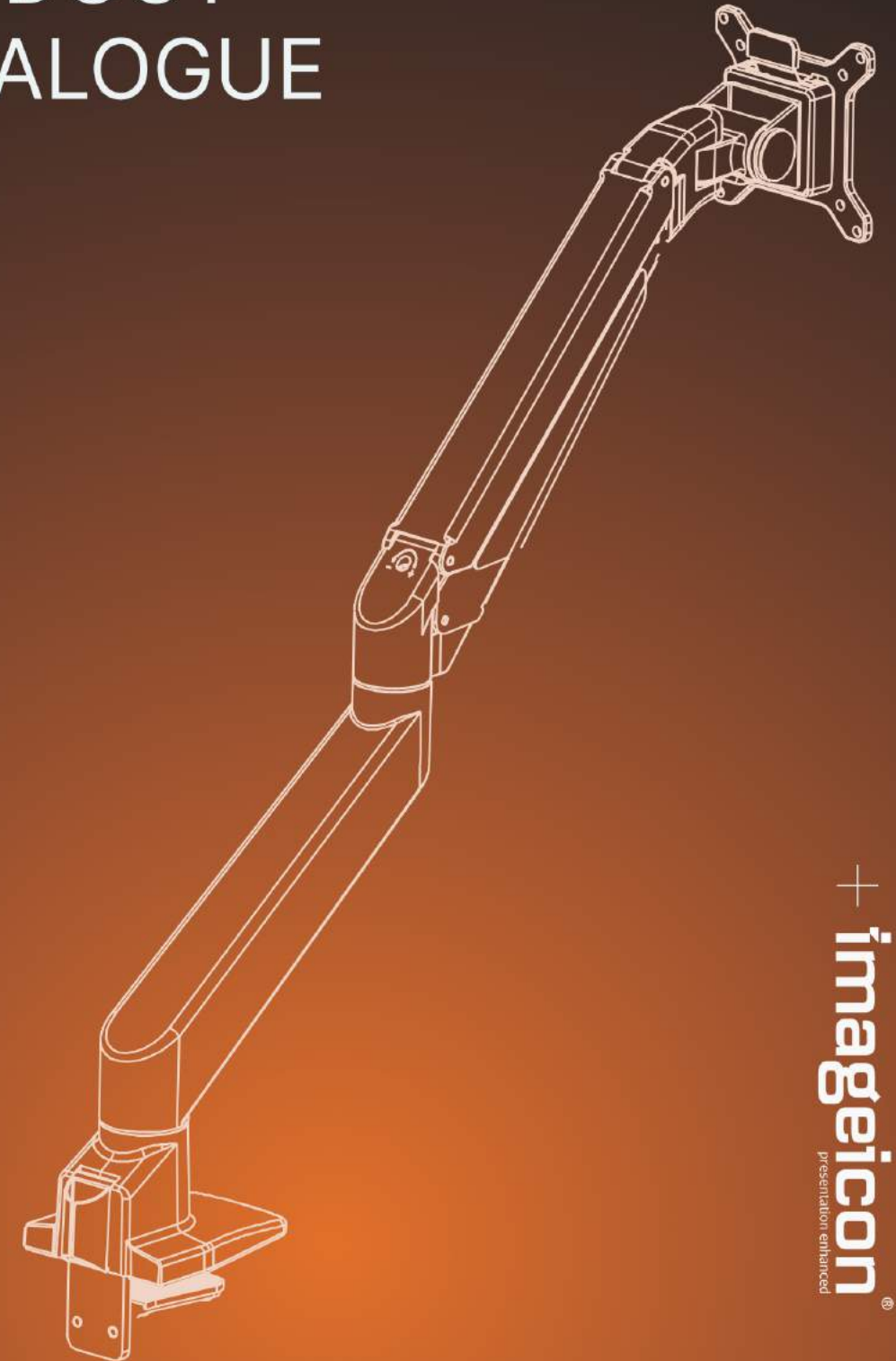



CL SERIES

PRODUCT CATALOGUE



+ imageicon®
Presentation enhanced

 Click here to
chat with us

For Enquiry : +91 98430 44400

www.imageicon.in





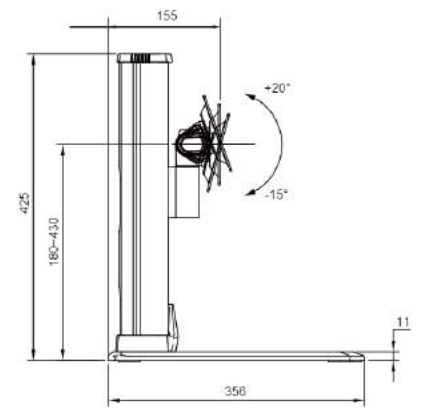
CL101

Desktop Monitor Arm



- Aviation class aluminum applied.
- Mainly used for control panel, CCTV, finance etc.
- Inside cable manager make work surface concise and neat.
- Can be installed or simply put on work surface as per different situation.

Dimension
mm



Technical Data

Screen Size 16:9 ≤34" \ 32:9 ≤49"

Lift: 250mm

Swivel: ±25°

VESA 75×75mm \ 100×100mm

N.W: 6kg

Base L x W: 356×370mm

Wt. Capacity: ≤24kg \ ≤15kg

Tilt: +20°~-15°

Pivot: 360°

Packing Size: 467×407×165mm

G.W: 7.2kg



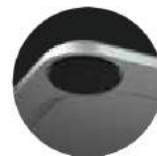
Universal metal ball joint design



With dustproof brush to block dust



Tool storage groove design



Anti slip silicone will not hurt the desktop surface

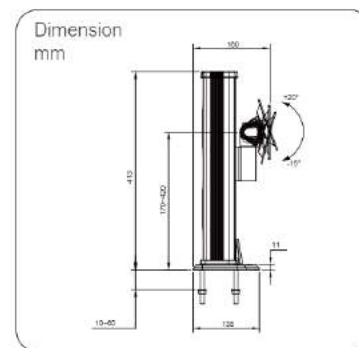


Click here to chat with us

CL100

Desktop Monitor Arm

- Aviation class aluminum applied.
- Mainly used for control panel, CCTV, finance etc.
- Inside cable manager make work surface concise and neat.
- Can be installed or simply put on work surface as per different situation.



Screen Size 16:9 ≤34" \ 32:9 ≤49"

Wt. Capacity: ≤24kg \ ≤15kg

Lift: 250mm Tilt: +20°~-15°

Swivel: ±25° Pivot: 360°

VESA 75×75mm \ 100×100mm

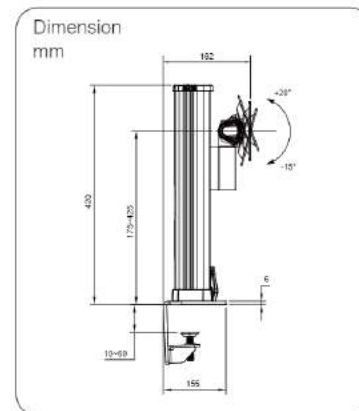
Packing Size: 585×216×170mm

N.W: 3.5kg G.W: 4.2kg

Grommet Size 70×128mm

CL102

Desktop Monitor Arm



Screen Size: 16:9 ≤34" \ 32:9 ≤49"

Wt. Capacity: ≤24kg \ ≤15kg

Lift: 250mm Tilt: +20°~-15°

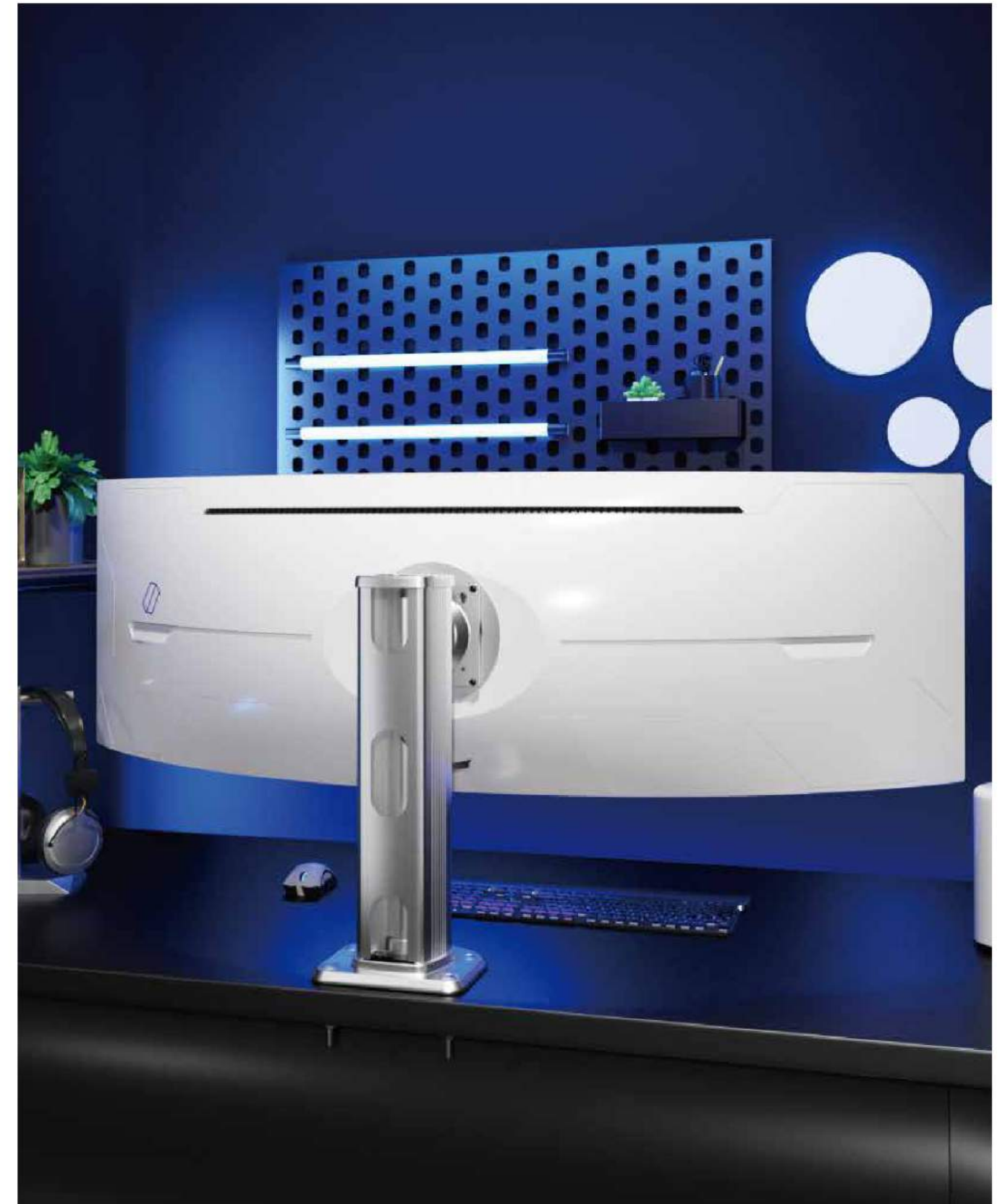
Swivel: ±25° Pivot: 360°

VESA 75×75mm \ 100×100mm

Packing Size: 585×216×170mm

N.W: 5.2kg G.W: 6kg

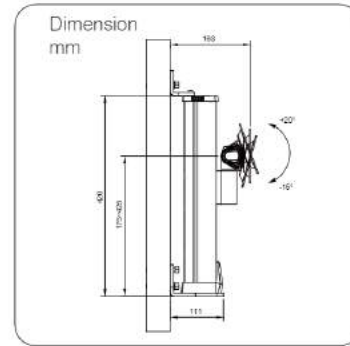
Clamp Range 10-60mm



CL103

Wall Mounted Monitor Arm

- Aviation class aluminum applied.
- Mainly used for control panel, CCTV, finance etc.
- Inside cable manager make work surface concise and neat.
- Can be installed or simply put on work surface as per different situation.



Screen Size 16:9 ≤34" \ 32:9 ≤49"

Wt. Capacity: ≤24kg \ ≤15kg

Lift: 250mm Tilt: +20°~-15°

Swivel: ±25° Pivot: 360°

VESA 75×75mm \ 100×100mm

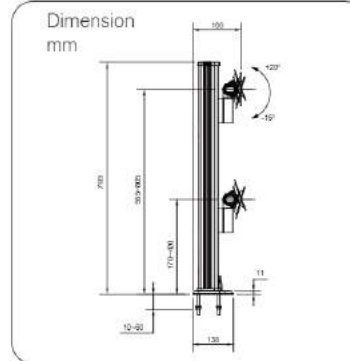
Packing Size: 585×216×170mm

N.W: 4.7kg G.W: 5.5kg

Wall Mount Size Reference model

CL200

Desktop Dual Monitor Arm



Screen Size 16:9 ≤34" \ 32:9 ≤49"

Wt. Capacity: ≤24kg \ ≤15kg

Lift: 250mm Tilt: +20°~-15°

Swivel: ±25° Pivot: 360°

VESA 75×75mm \ 100×100mm

Packing Size: 1035×216×170mm

N.W: 5.5kg G.W: 6.5kg

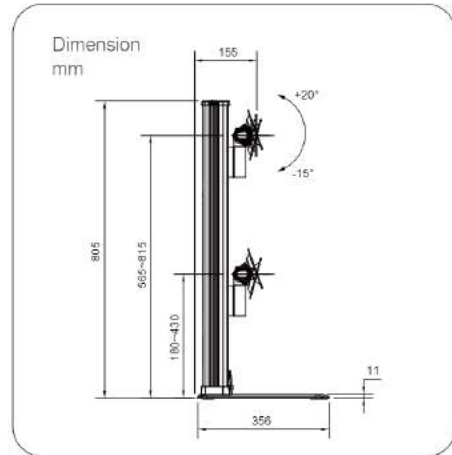
Grommet Size 70×128mm



CL201

Desktop Dual Monitor Arm

- Aviation class aluminum applied.
- Mainly used for control panel, CCTV, finance etc.
- Inside cable manager make work surface concise and neat.
- Can be installed or simply put on work surface as per different situation.



Screen Size: 16:9 ≤34" \ 32:9 ≤49"

Lift: 250mm

Swivel: ±25°

VESA: 75×75mm \ 100×100mm

N.W: 8.2kg

Base L x W: 356×370mm

Wt. Capacity: ≤24kg \ ≤15kg

Tilt: +20°~-15°

Pivot: 360°

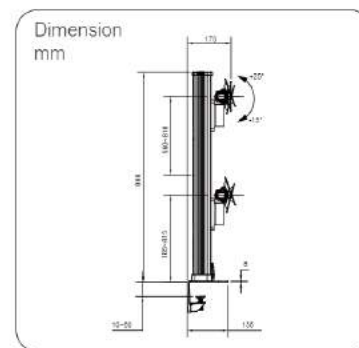
Packing Size: 845×410×155mm

G.W: 9.6kg

CL202

Desktop Dual Monitor Arm

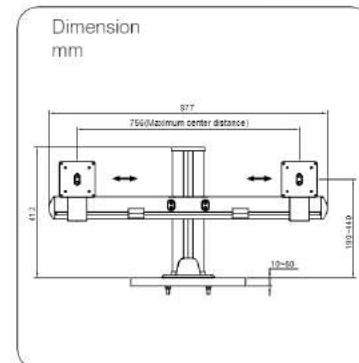
- Aviation class aluminum applied.
- Mainly used for control panel, CCTV, finance etc.
- Inside cable manager make work surface concise and neat.
- Can be installed or simply put on work surface as per different situation.



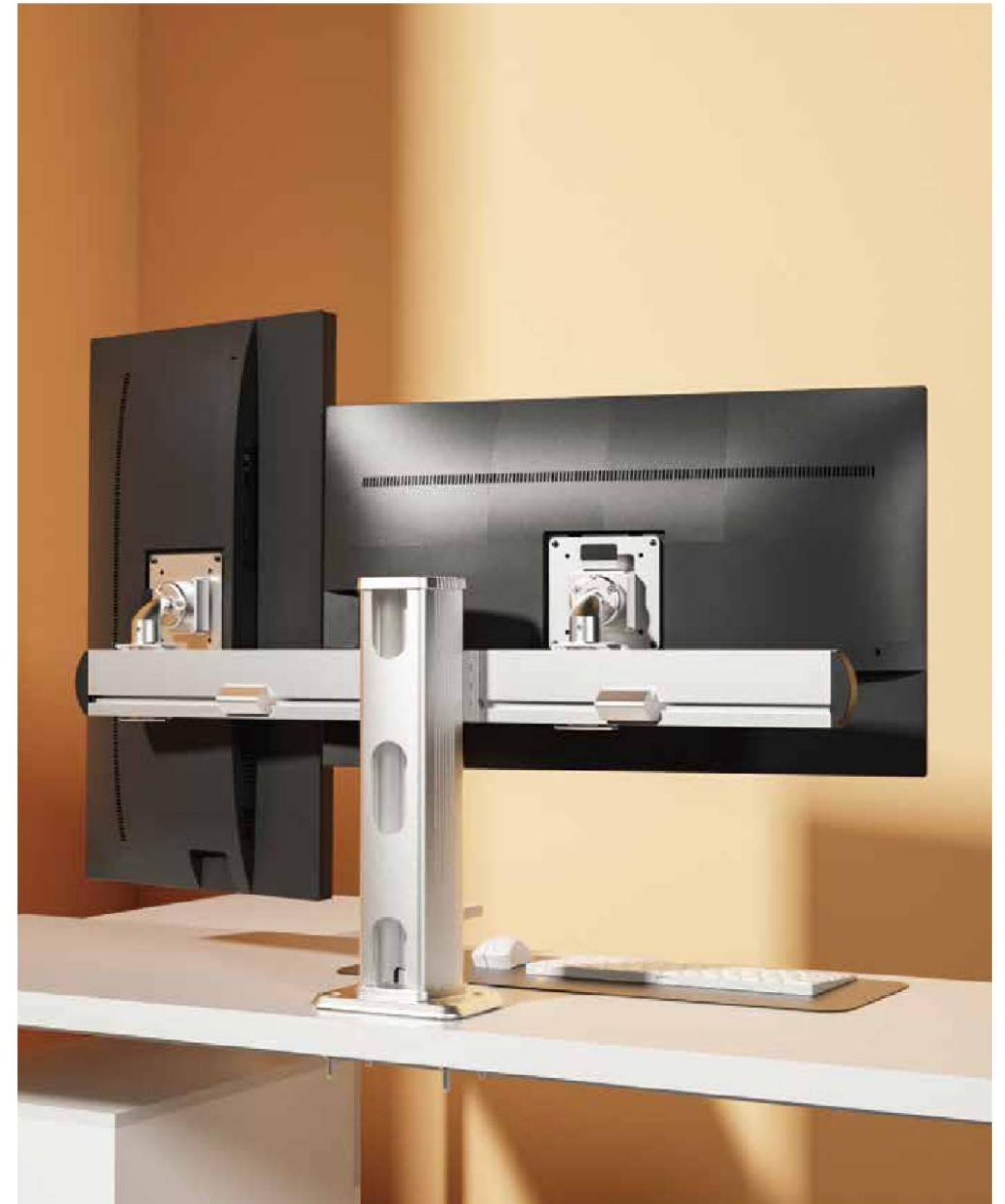
	Screen Size 16.9 ≤34" \ 32.9 ≤49"		
	Wt. Capacity: ≤15kg		
	Lift: 250mm		Tilt: +20°~-15°
	Swivel: ±25°		Pivot: 360°
	VESA 75×75mm \ 100×100mm		
	Packing Size: 1035×216×170mm		
	N.W: 7.3kg		G.W: 8.3kg
	Clamp Range 10-60mm		

CL203

Desktop Dual Monitor Arm



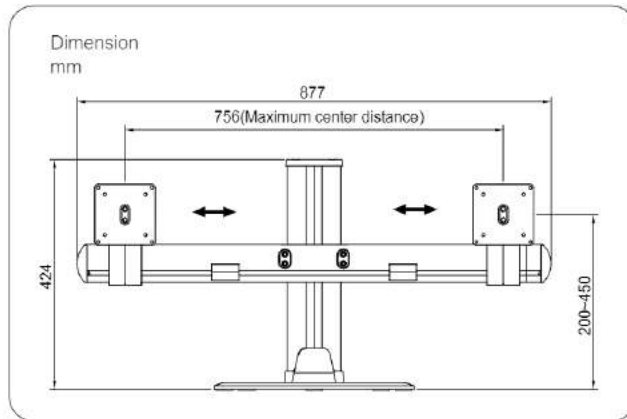
	Screen Size ≤32"		
	Wt. Capacity: ≤15kg		
	Lift: 250mm		Tilt: ±20°
	Swivel: ±10°		Pivot: ±90°
	VESA 75×75mm \ 100×100mm		
	Packing Size: 927×260×168mm		
	N.W: 5.6kg		G.W: 7kg
	Grommet Size 70×128mm		



CL204

Desktop Dual Monitor Arm

- Aviation class aluminum applied.
- Mainly used for control panel, CCTV, finance etc.
- Inside cable manager make work surface concise and neat.
- Multi functional arm, the display can slide left and right, and the arms on both sides can be adjusted back and forth.



Screen Size: ≤32"

Lift: 250mm

Swivel: ±10°

VESA 75×75mm \ 100×100mm

N.W: 7.4kg

Base L x W: 356×370mm

Wt. Capacity: ≤15kg

Tilt: ±20°

Pivot: ±90°

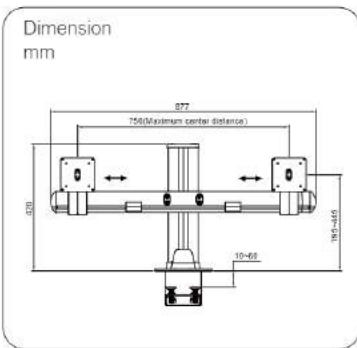
Packing Size: 927×417×140mm

G.W: 9.4kg

CL205

Desktop Dual Monitor Arm

- Aviation class aluminum applied.
- Mainly used for control panel, CCTV, finance etc.
- Inside cable manager make work surface concise and neat.
- Multi functional arm, the display can slide left and right, and the arms on both sides can be adjusted back and forth.

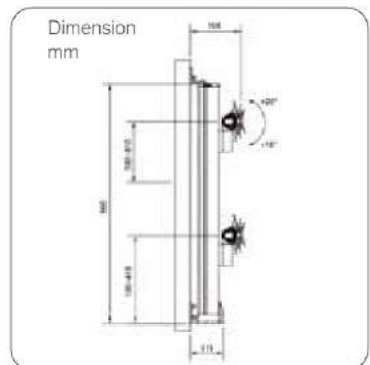


	Screen Size ≤32"		
	Wt. Capacity: ≤15kg		
	Lift: 250mm		Tilt: ±20°
	Swivel: ±10°		Pivot: ±90°
	VESA 75×75mm \ 100×100mm		
	Packing Size: 927×410×140mm		
	N.W: 6.7kg		G.W: 8.2kg
	Clamp Range 10~60mm		

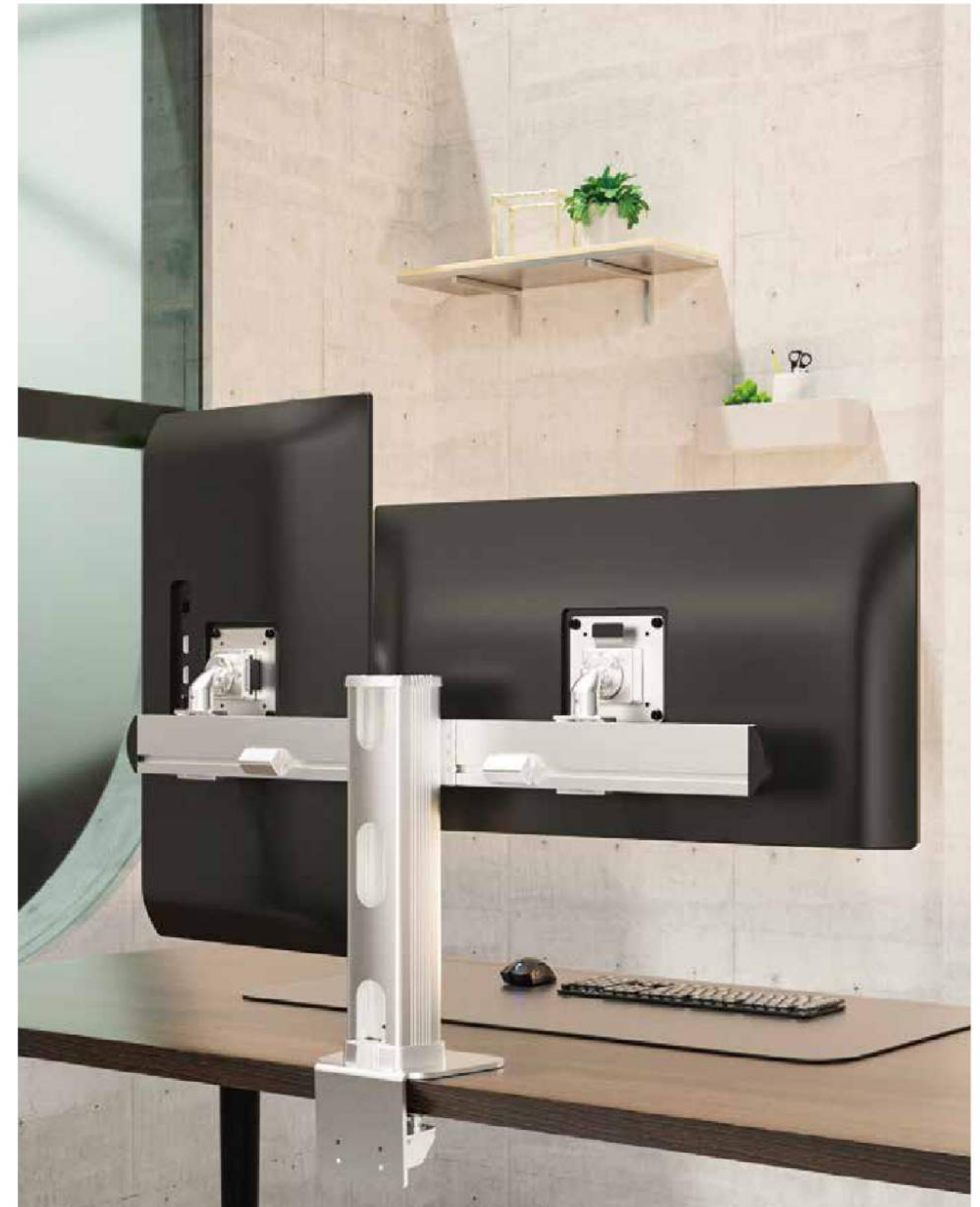


CL206

Wall Mounted Dual Monitor Arm



	Screen Size 16:9 ≤34" \ 32:9 ≤49"		
	Wt. Capacity: ≤24kg \ ≤15kg		
	Lift: 250mm		Tilt: +20°~-15°
	Swivel: ±25°		Pivot: 360°
	VESA 75×75mm \ 100×100mm		
	Packing Size: 1035×216×170mm		
	N.W: 7kg		G.W: 8kg
	Wall Mount Size Reference model		

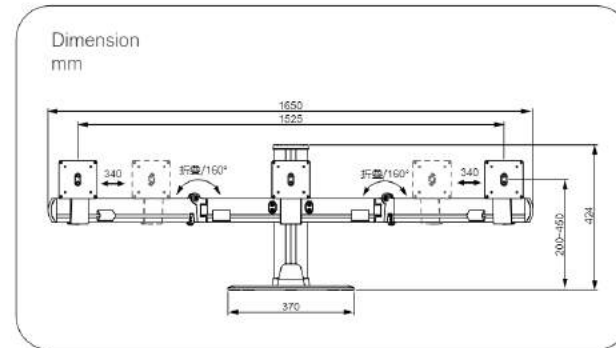


CL301

Desktop Triple Monitor Arm



- Aviation class aluminum applied.
- Mainly used for control panel, CCTV, finance etc.
- Inside cable manager make work surface concise and neat.
- Multi functional arm, the display can slide left and right, and the arms on both sides can be adjusted back and forth.



Screen Size: Two Screen ≤50" \ Three Screen ≤32"

Lift: 250mm

Swivel: ±10°

VESA 75×75mm \ 100×100mm

N.W: 7.8kg

Base L x W: 356×370mm

Wt. Capacity: ≤15kg

Tilt: ±20°

Pivot: ±90°

Packing Size: 632×612×175mm

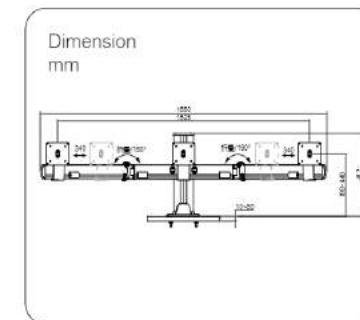
G.W: 10.3kg



CL300

Desktop Triple Monitor Arm

- Aviation class aluminum applied.
- Mainly used for control panel, CCTV, finance etc.
- Inside cable manager make work surface concise and neat.
- Multi functional arm, the display can slide left and right, and the arms on both sides can be adjusted back and forth.

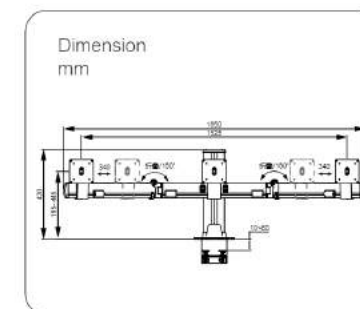


- Screen Size Two Screen ≤50" \ Three Screen ≤32"
- Wt. Capacity: ≤15kg
- Lift: 250mm Tilt: ±20°
- Swivel: ±10° Pivot: ±90°
- VESA 75×75mm \ 100×100mm
- Packing Size: 632×612×175mm
- N.W: 5kg G.W: 7.5kg
- Grommet Size 70×128mm



CL302

Desktop Triple Monitor Arm



- Screen Size Two Screen ≤50" \ Three Screen ≤32"
- Wt. Capacity: ≤15kg
- Lift: 250mm Tilt: ±20°
- Swivel: ±10° Pivot: ±90°
- VESA 75×75mm \ 100×100mm
- Packing Size: 632×612×175mm
- N.W: 7g G.W: 9.6kg
- Clamp Range 10-60mm

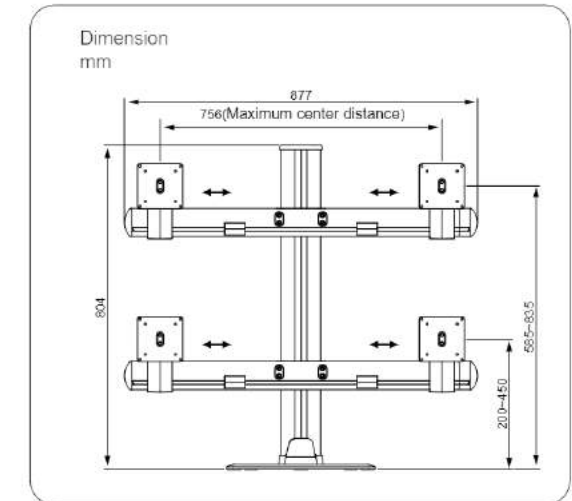




CL401

Desktop Quad Monitor Arm

- Aviation class aluminum applied.
- Mainly used for control panel, CCTV, finance etc.
- Inside cable manager make work surface concise and neat.
- Multi functional arm, the display can slide left and right, and the arms on both sides can be adjusted back and forth.



Screen Size ≤32"

Wt. Capacity: ≤15kg

Lift: 250mm

Tilt: ±20°

Swivel: ±10°

Pivot: ±90°

VESA 75×75mm \ 100×100mm

Packing Size: 926×406×178mm

N.W: 11.2kg

G.W: 13.2kg

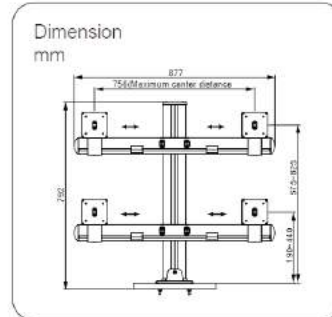
Base L x W: 356×370mm



CL400

Desktop Quad Monitor Arm

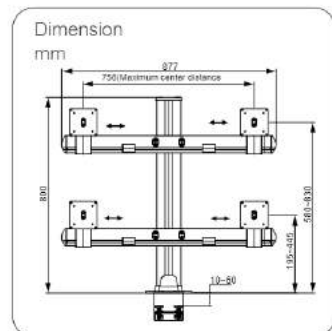
- Aviation class aluminum applied.
- Mainly used for control panel, CCTV, finance etc.
- Inside cable manager make work surface concise and neat.
- Multi functional arm, the display can slide left and right, and the arms on both sides can be adjusted back and forth.



- Screen Size ≤32"
- Wt. Capacity: ≤15kg
- Lift: 250mm Tilt: ±20°
- Swivel: ±10° Pivot: ±90°
- VESA 75×75mm \ 100×100mm
- Packing Size: 962×406×178mm
- N.W: 8.7kg G.W: 10.6kg
- Grommet Size 70×128mm

CL402

Desktop Quad Monitor Arm



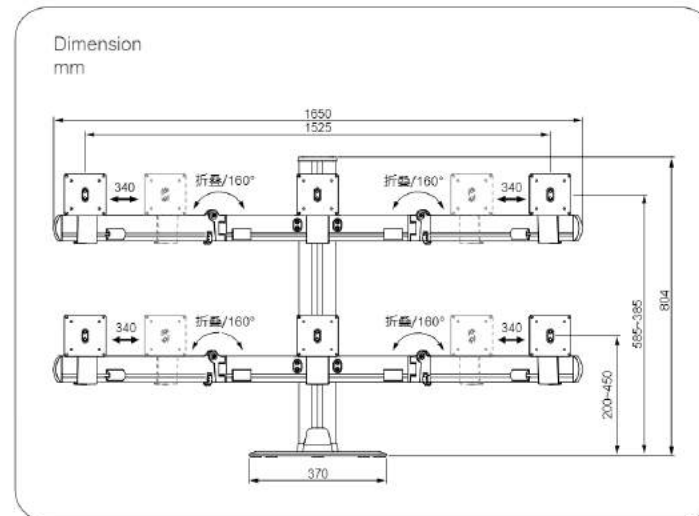
- Screen Size ≤32"
- Wt. Capacity: ≤15kg
- Lift: 250mm Tilt: ±20°
- Swivel: ±10° Pivot: ±90°
- VESA 75×75mm \ 100×100mm
- Packing Size: 927×406×178mm
- N.W: 10.5kg G.W: 12.5kg
- Clamp Range 10-60mm



CL601

Desktop Sextuple Monitor Arm

- Aviation class aluminum applied.
- Mainly used for control panel, CCTV, finance etc.
- Inside cable manager make work surface concise and neat.
- Multi functional arm, the display can slide left and right, and the arms on both sides can be adjusted back and forth.



Screen Size Two Screen ≤50" \ Three Screen ≤32"

Wt. Capacity: ≤15kg

Lift: 250mm Tilt: ±20°

Swivel: ±10° Pivot: ±90°

VESA 75×75mm \ 100×100mm

Packing Size: 938×652×175mm

N.W: 12kg G.W: 15.8kg

Grommet Size 356×370mm



Universal metal ball joint design



With dustproof brush to block dust



Tool storage groove design

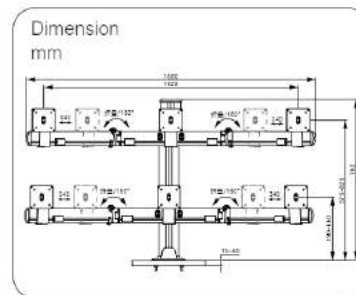


Anti slip silicone will not hurt the desktop surface

CL600

Desktop Sextuple Monitor Arm

- Aviation class aluminum applied.
- Mainly used for control panel, CCTV, finance etc.
- Inside cable manager make work surface concise and neat.
- Multi functional arm, the display can slide left and right, and the arms on both sides can be adjusted back and forth.



Screen Size Two Screen ≤50" \ Three Screen ≤32"

Wt. Capacity: ≤15kg

Lift: 250mm Tilt: ±20°

Swivel: ±10° Pivot: ±90°

VESA 75×75mm \ 100×100mm

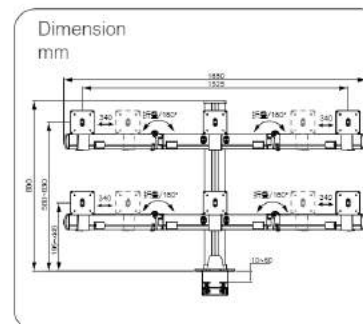
Packing Size: 938×652×175mm

N.W: 9.5kg G.W: 13.3kg

Grommet Size 70×128mm

CL602

Desktop Sextuple Monitor Arm



Screen Size Two Screen ≤50" \ Three Screen ≤32"

Wt. Capacity: ≤15kg

Lift: 250mm Tilt: ±20°

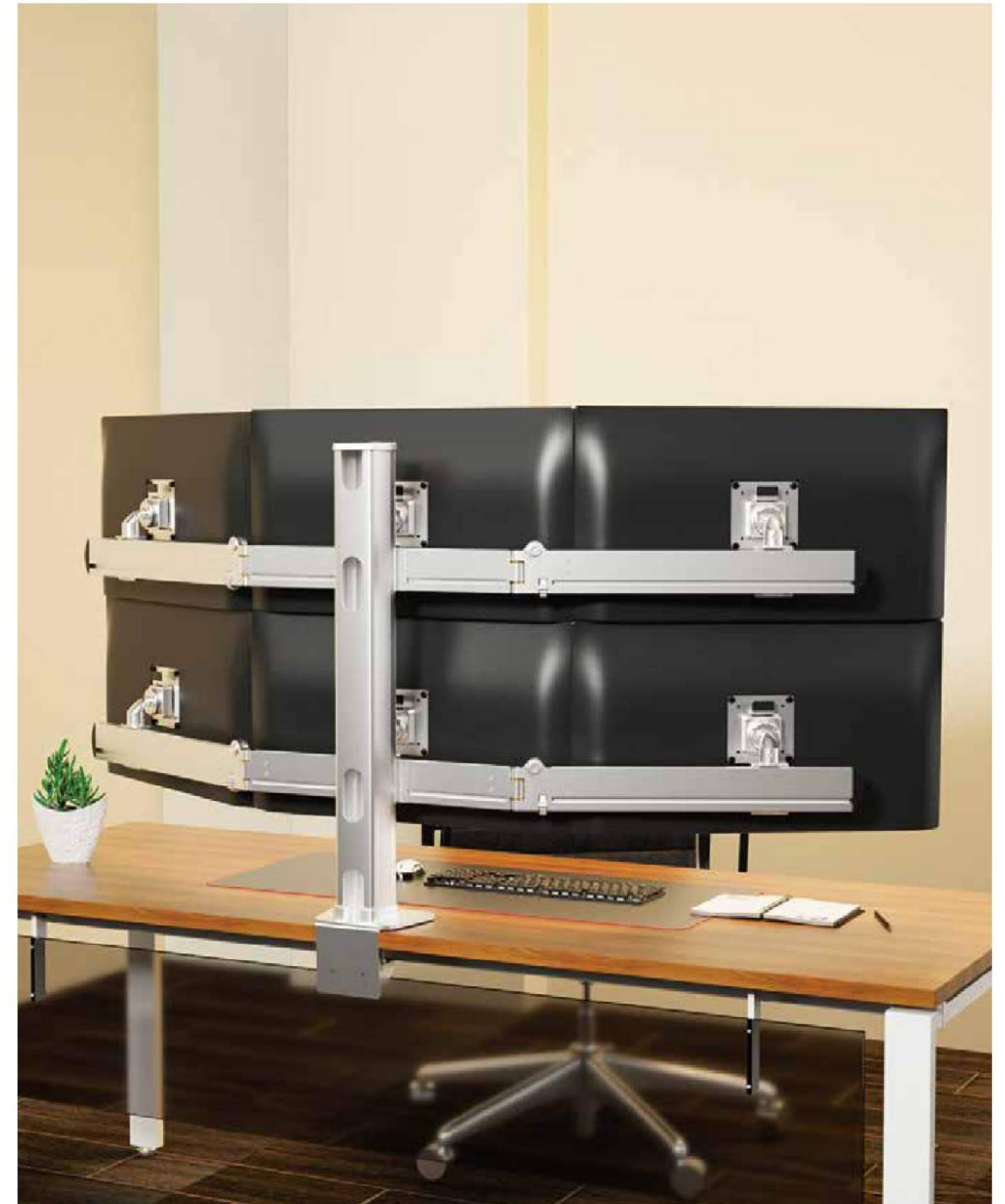
Swivel: ±10° Pivot: ±90°

VESA 75×75mm \ 100×100mm

Packing Size: 938×652×175mm

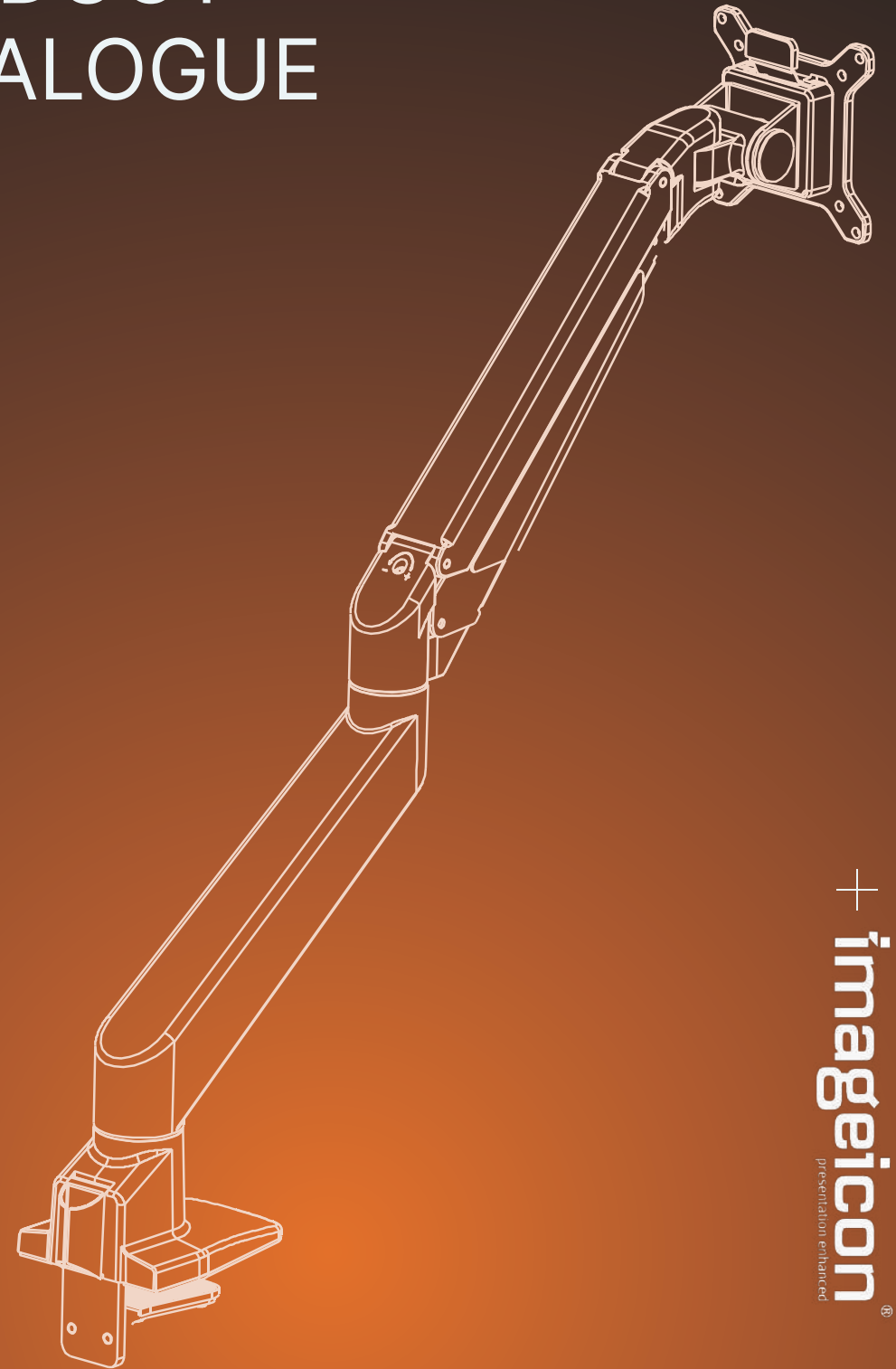
N.W: 11.3kg G.W: 15kg

Clamp Range 10-60mm




CS SERIES

PRODUCT CATALOGUE



+ imageicon[®]
presentation enhanced

 Click here to
chat with us

For Enquiry : +91 98430 44400

www.imageicon.in



CS100

Dynamic Monitor Arm

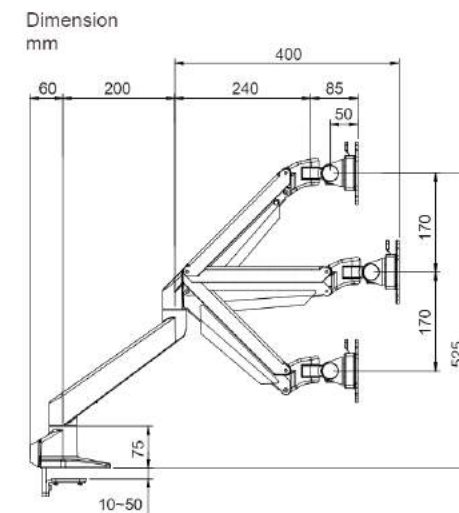


- Innovative quick-release mechanism and convenient upside locking clamp guarantees efficient installation. Streamline shape appearance and cable management make your office concise.
- Adjust your LCD to an ideal position only with a simple touch.
- Simple installation solves the problem for installing it small space.



Technical Data

LCD Size: 16:9 ≤34" 32:9 ≤49"	
Wt. Capacity: 2-10 \ 8-20kg	
Lift 340mm	Tilt -30°~+75°
Swivel ±90°	Pivot ±90°
VESA 75×75mm \ 100×100mm	
Packing Size: Inner: 580×235×125mm Outer: 575×250×395mm Inner/Outer: 3/1	
N.W.: Inner \ 3.7kg Outer \ 11kg	
G.W.: Inner \ 4.5kg Outer \ 14kg	
Desk thickness: Thru-desk \ 10-50mm Desk clamp \ 10-50mm	



Quick-release mechanism



Torsional spring



Metal shaft and sleeve applied



Clamp with upside locking



Desk clamp

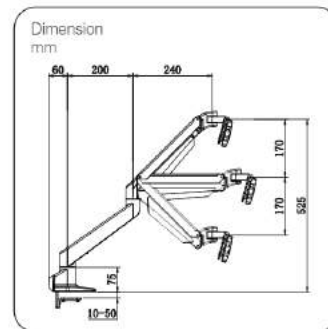


• USB available.

CS111

Monitor arm for iMac

- Freely height adjustment to meet variable vision requirement;
- Constant-force gas cylinder to make adjusting smoothly and easily;
- Specially designed for iMac monitor, you don't need to remove the built-in base to make installation due to all-in-one setting up design.



Wt. Capacity: 4-14kg

Lift 340mm Swivel $\pm 90^\circ$

Packing Size Inner: 560×235×125mm
Outer: 575×250×395mm
Inner/Outer: 3/1

N.W.: Inner: 3.5kg Outer: 10.5kg

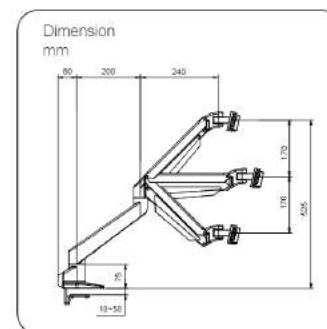
G.W.: Inner: 4kg Outer: 12.5kg

Desk thickness: Thru-desk: 10-50mm
Desk clamp: 10-50mm

Specially designed connector for iMac monitor.

CS114

Monitor arm for new iMac



LCD Size: 24" Apple iMac: MGTG3CH/A

Wt. Capacity: 2-10kg Lift 340mm

Swivel $\pm 90^\circ$ Pivot: $\pm 5^\circ$

Packing Size: Inner: 560×235×125mm
Outer: 575×250×395mm
Inner/Outer: 1/1

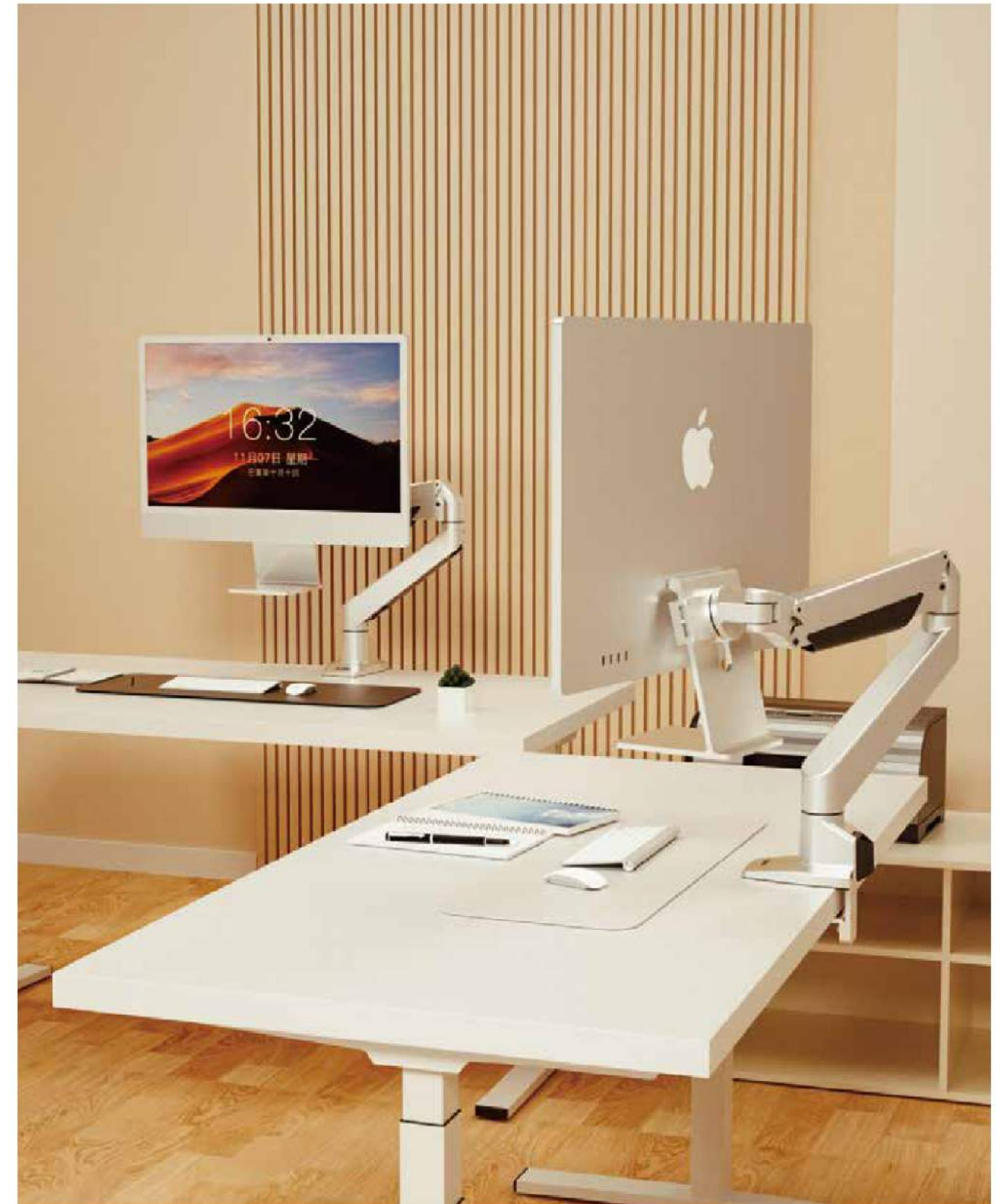
N.W.: Inner: 3.7kg Outer: 11kg

G.W.: Inner: 4.5kg Outer: 14kg

Desk thickness: Thru-desk: 10-50mm
Desk clamp: 10-50mm



Specially designed connector for iMac monitor.

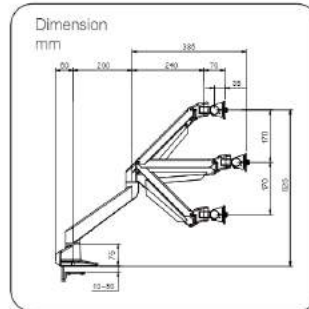


CS108



Monitor arm for Samsung G9

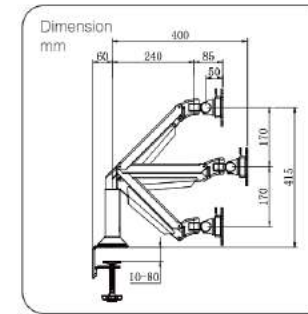
- Freely height adjustable to different positions as desired.
- Single arm design will be much flexible in using at narrow and limited space.



	LCD Size: 32.9 ≤ 49" S MSUNG: C49HG90DMC		
	Wt. Capacity: 8-20kg		
	Lift: 340mm		Swivel: ±90°
	Tilt: -30°~+75°		Pivot: 360°
	Packing Size: Inner: 560×235×125mm Outer: 575×250×395mm Inner/Outer: 3/1		
	N.W.: Inner: 3.7kg Outer: 11kg		
	G.W.: Inner: 4.5kg Outer: 14kg		
	Desk thickness: Thru-desk: 10~50mm Desk clamp: 10~50mm		

CS101

Full motion desk mount gas spring arm

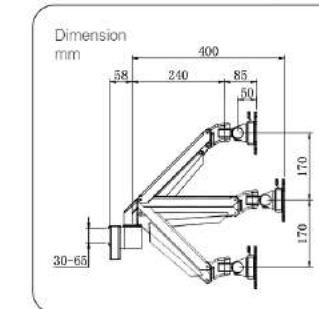


	LCD Size: 16.9 ≤ 34" 32.9 ≤ 49"		
	Wt. Capacity: 2-10kg / 8-20kg		
	Lift: 340mm		Swivel: ±90°
	Tilt: -30°~+75°		Pivot: ±90°
	VESA 75×75mm \ 100×100mm		
	Packing Size: Inner: 475×195×140mm Outer: 490×210×440mm Inner/Outer: 3/1		
	N.W.: Inner: 3.9kg Outer: 11.7kg		
	G.W.: Inner: 4.5kg Outer: 14kg		
	Desk thickness: Thru-desk: 10~70mm Desk clamp: 10~80mm		



CS102

Full motion slatrail mount gas spring arm



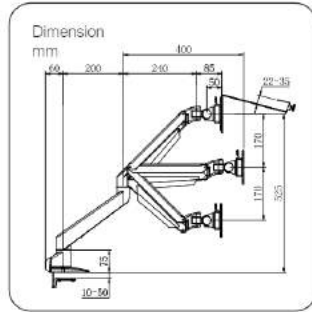
Clamp for slatrail

	LCD Size: 16.9 ≤ 34" 32.9 ≤ 49"		
	Wt. Capacity: 2-10kg / 8-20kg		
	Lift: 340mm		Swivel: ±90°
	Tilt: -30°~+75°		Pivot: ±90°
	VESA 75×75mm \ 100×100mm		
	Packing Size: Inner: 560×235×125mm Outer: 575×250×395mm Inner/Outer: 3/1		
	N.W.: Inner: 2.6kg Outer: 7.8kg		
	G.W.: Inner: 3.3kg Outer: 10.5kg		
	Desk clamp: 30~65mm		



CS106

Full motion desk mount gas spring arm for laptop

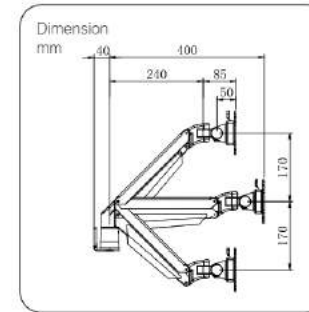


- LCD Size: $\leq 34"$
- Wt. Capacity: 2-10kg / 0.5-5kg
- Lift: 340mm Swivel: $\pm 90^\circ$
- Tilt: $-30^\circ \sim +75^\circ$ Pivot: $\pm 90^\circ$
- VESA: 75x75mm \ 100x100mm
- Packing Size: Inner: 490x290x175mm
Outer: 505x305x545mm
Inner/Outer: 3/1
- N.W.: Inner: 5.2kg Outer: 15.6kg
- G.W.: Inner: 6.5kg Outer: 21kg
- Desk thickness: Thru-desk: 10-50mm
Desk clamp: 10-50mm



CS103

Full motion wall mount gas spring arm

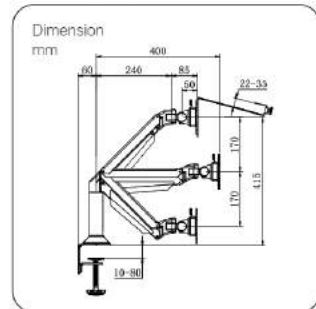


- LCD Size: 16:9 $\leq 34"$ 32:9 $\leq 49"$
- Wt. Capacity: 2-10kg
- Lift: 340mm Swivel: $\pm 90^\circ$
- Tilt: $-30^\circ \sim +75^\circ$ Pivot: $\pm 90^\circ$
- VESA: 75x75mm \ 100x100mm
- Packing Size: Inner: 560x235x125mm
Outer: 575x250x395mm
Inner/Outer: 3/1
- N.W.: Inner: 2.6kg Outer: 7.8kg
- G.W.: Inner: 3.3kg Outer: 10.5kg
- Wall mount L x W: 44x35mm



CS107

Full motion desk mount gas spring arm for laptop



- LCD Size: $\leq 34"$
- Wt. Capacity: 2-10kg / 0.5-5kg
- Lift: 340mm Swivel: $\pm 90^\circ$
- Tilt: $-30^\circ \sim +75^\circ$ Pivot: $\pm 90^\circ$
- VESA: 75x75mm \ 100x100mm
- Packing Size: Inner: 475x195x140mm Inner: 250x250x130mm
Outer: 490x210x440mm Outer: 265x265x410mm
Inner/Outer: 3/1 Inner/Outer: 3/1
- N.W.: Inner: 3.9kg Inner: 0.9kg
Outer: 11.7kg Outer: 2.7kg
- G.W.: Inner: 4.5kg Inner: 1.1kg
Outer: 14kg Outer: 3.6kg
- Desk thickness: Thru-desk: 10-70mm
Desk clamp: 10-80mm



Never dropping

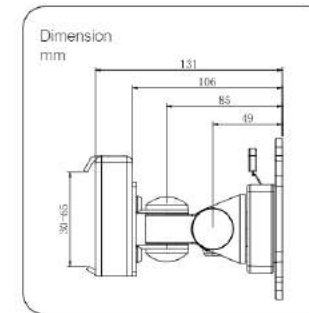
Support 24-49 inch monitor

Weight capacity: 2-10kg/8-20kg



CS104

Full motion slatrail mount gas arm

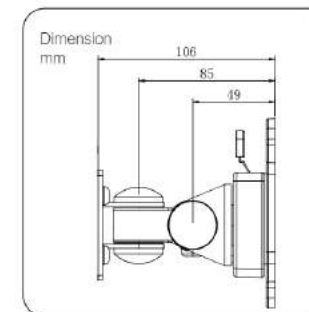


- LCD Size: 16:9 ≤34" 32:9 ≤49"
- Wt. Capacity: ≤13kg Swivel: ±70°
- Tilt: -30°~+75° Pivot: ±90°
- VESA: 75×75mm \ 100×100mm
- Packing Size: Inner: 170×120×120mm
Outer: 615×355×140mm
Inner/Outer :10/1
- N.W.: Inner: 1.2kg Outer: 12kg
- G.W.: Inner: 1.3kg Outer: 13.4kg
- Desk clamp: 30-65mm



CS105

Full motion wall mount arm

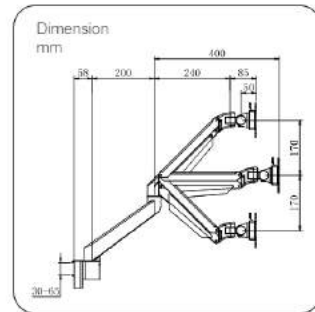
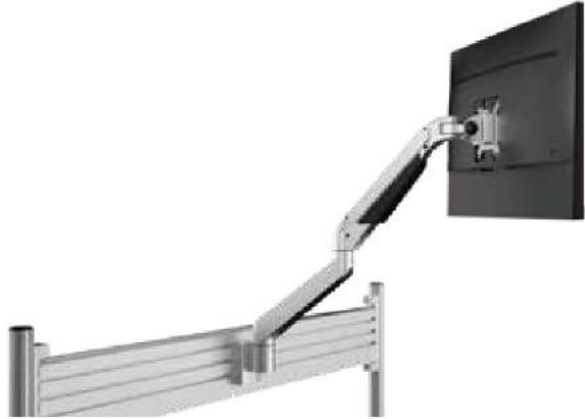


- LCD Size: 16:9 ≤34" 32:9 ≤49"
- Wt. Capacity: ≤13kg Swivel: ±70°
- Tilt: -30°~+75° Pivot: ±90°
- VESA: 75×75mm \ 100×100mm
- Packing Size: Inner: 170×120×120mm
Outer: 615×355×140mm
Inner/Outer :10/1
- N.W.: Inner: 0.8kg Outer: 8kg
- G.W.: Inner: 0.9kg Outer: 9.4kg
- Wall mount L×W: 44×35mm



CS109

Full motion slatrail mount gas arm



Clamp for slatrail

LCD Size: 16:9 ≤34" 32:9 ≤49"

Wt. Capacity: 2-10kg

Lift: 340mm Swivel: ±90°

Tilt: -30°~+75° Pivot: ±90°

VESA 75×75mm \ 100×100mm

Packing Size: Inner: 560×235×125mm
Outer: 575×250×395mm
Inner/Outer: 3/1

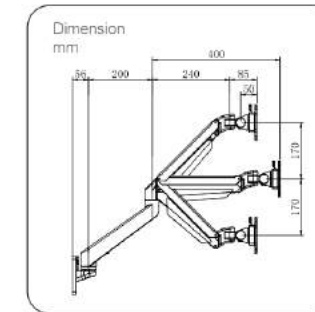
N.W.: Inner: 3.2kg Outer: 9.6kg

G.W.: Inner: 4kg Outer: 12.5kg

Desk clamp: 30-65mm

CS113

Full motion wall mount gas arm



Wall clamp

LCD Size: 16:9 ≤34" 32:9 ≤49"

Wt. Capacity: 2-10kg / 8-20kg

Lift: 340mm Swivel: ±90°

Tilt: -30°~+75° Pivot: ±90°

VESA 75×75mm \ 100×100mm

Packing Size: Inner: 560×235×125mm
Outer: 575×250×395mm
Inner/Outer: 3/1

N.W.: Inner: 3.2kg Outer: 9.6kg

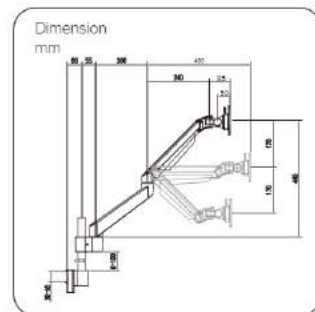
G.W.: Inner: 4kg Outer: 12.5kg

Wall mount L×W: 28.6×104mm



CS129

Full motion slatrail mount gas arm



LCD Size: 16:9 ≤34" 32:9 ≤49"

Wt. Capacity: 2-10kg

Lift: 340mm Swivel: ±90°

Tilt: -30°~+75° Pivot: ±90°

VESA 75×75mm \ 100×100mm

Packing Size: Inner: 480×245×145mm
Outer: 495×260×455mm
Inner/Outer: 3/1

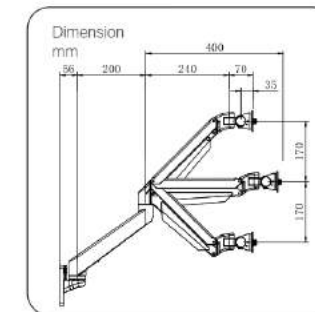
N.W.: Inner: 3.9kg Outer: 11.7kg

G.W.: Inner: 4.4kg Outer: 13.7kg

Desk clamp: 30-65mm

CS115

Full motion wall mount gas arm
for Samsung G9



LCD Size: 32:9 ≤49" SAMSUNG: C49HG90DMC

Wt. Capacity: 8-20kg

Lift: 340mm Swivel: ±90°

Tilt: -30°~+75° Pivot: 360°

VESA 75×75mm \ 100×100mm

Packing Size: Inner: 560×235×125mm
Outer: 575×250×395mm
Inner/Outer: 3/1

N.W.: Inner: 3.2kg Outer: 9.6kg

G.W.: Inner: 4kg Outer: 12.5kg

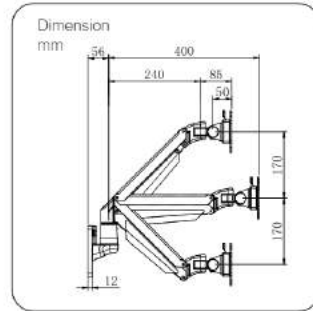
Wall mount L×W: 28.6×104mm





CS110

Full motion wall mount gas arm



LCD Size: 16:9 ≤34" 32:9 ≤49"

Wt. Capacity: 2-10kg / 8-20kg

Lift: 340mm Swivel: ±90°

Tilt: -30°~+75° Pivot: ±90°

VESA 75×75mm \ 100×100mm

Packing Size: Inner: 560×235×125mm
Outer: 575×250×395mm
Inner/Outer: 3/1

N.W.: Inner: 2.8kg Outer: 8.4kg

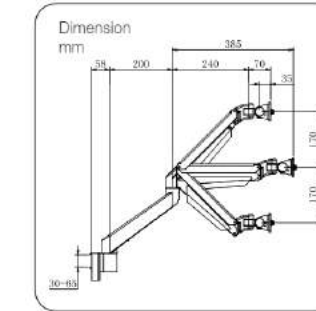
G.W.: Inner: 3.5kg Outer: 11kg

Wall mount L×W: 28.6×104mm



CS133

Full motion slatrail mount gas arm for Samsung G9



LCD Size: 32:9 ≤49" SAMSUNG: C49HG60DMC

Wt. Capacity: 8-20kg

Lift: 340mm Swivel: ±90°

Tilt: -30°~+75° Pivot: 360°

VESA 75×75mm \ 100×100mm

Packing Size: Inner: 560×235×125mm
Outer: 575×250×395mm
Inner/Outer: 3/1

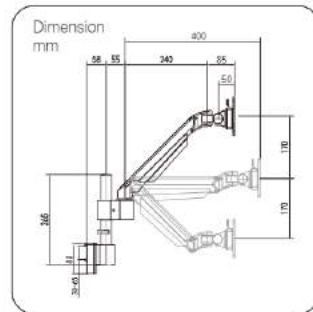
N.W.: Inner: 3.2kg Outer: 9.6kg

G.W.: Inner: 4kg Outer: 12.5kg

Desk clamp: 30-65mm

CS131

Full motion slatrail mount gas arm



LCD Size: 16:9 ≤34" 32:9 ≤49"

Wt. Capacity: 2-10kg

Lift: 340mm Swivel: ±90°

Tilt: -30°~+75° Pivot: ±90°

VESA 75×75mm \ 100×100mm

Packing Size: Inner: 480×245×145mm
Outer: 495×260×455mm
Inner/Outer: 3/1

N.W.: Inner: 3.1kg Outer: 9.3kg

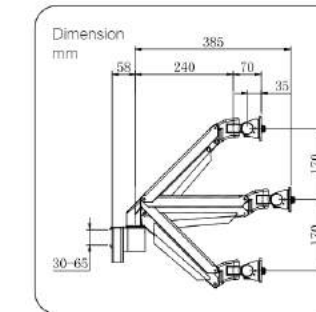
G.W.: Inner: 3.4kg Outer: 11kg

Desk clamp: 30-65mm



CS134

Full motion slatrail mount gas arm for Samsung G9



LCD Size: 32:9 ≤49" SAMSUNG: C49HG60DMC

Wt. Capacity: 8-20kg

Lift: 340mm Swivel: ±90°

Tilt: -30°~+75° Pivot: 360°

VESA 75×75mm \ 100×100mm

Packing Size: Inner: 560×235×125mm
Outer: 575×250×395mm
Inner/Outer: 3/1

N.W.: Inner: 2.6kg Outer: 7.8kg

G.W.: Inner: 3.3kg Outer: 10.5kg

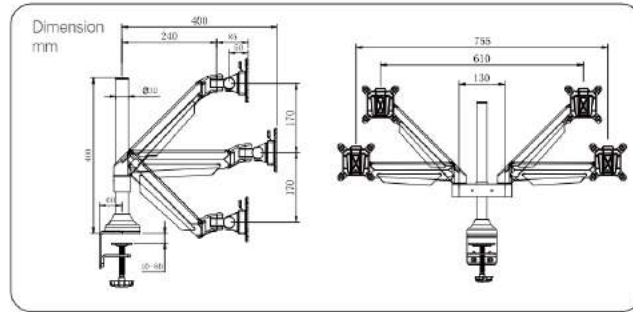
Desk clamp: 30-65mm

CS200

Full motion dual monitor gas arm

- LCD Size: ≤32"
- Wt. Capacity: 2-10kg / 8-20kg
- Lift: 340mm Swivel: ±90°
- Tilt: -30°~+75° Pivot: ±90°
- VESA 75×75mm \ 100×100mm

- Packing Size: Inner: 535×225×130mm
Outer: 550×240×410mm
Inner/Outer: 3/1
- N.W.: Inner: 6.4kg Outer: 19.2kg
- G.W.: Inner: 6.8kg Outer: 21kg
- Desk thickness: Thru-desk:20~45mm
Desk clamp:10~80mm

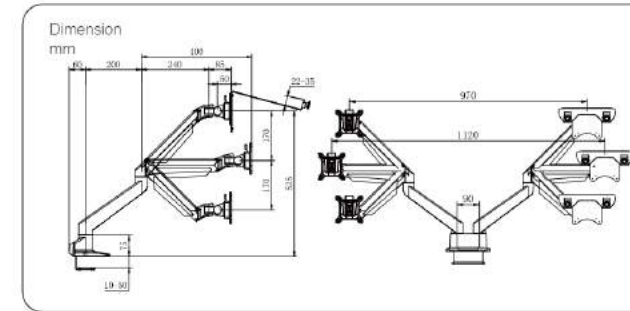


CS204

Full motion dual monitor gas arm

- LCD Size: ≤34"
- Wt. Capacity: 2-10kg / 8-20kg
- Lift: 340mm Swivel: ±90°
- Tilt: -30°~+75° Pivot: ±90°
- VESA 75×75mm \ 100×100mm

- Packing Size: Inner: 580×225×165mm
Outer: 595×240×515mm
Inner/Outer: 3/1
- N.W.: Inner: 7.2kg Outer: 21.8kg
- G.W.: Inner: 7.7kg Outer: 23.5kg
- Desk thickness: Thru-desk:10~60mm
Desk clamp:10~50mm

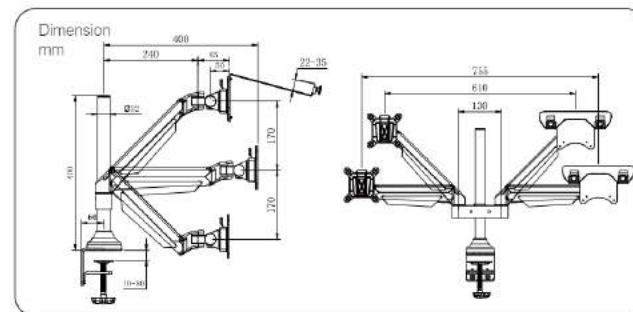


CS201

Full motion dual monitor gas arm

- LCD Size: ≤32"
- Wt. Capacity: 2-10kg / 8-20kg
- Lift: 340mm Swivel: ±90°
- Tilt: -30°~+75° Pivot: ±90°
- VESA 75×75mm \ 100×100mm

- Packing Size: Inner: 535×225×130mm
Outer: 550×240×410mm
Inner/Outer: 3/1
- N.W.: Inner: 6.4kg Outer: 19.2kg
- G.W.: Inner: 6.8kg Outer: 21kg
- Desk thickness: Thru-desk:20~45mm
Desk clamp:10~80mm

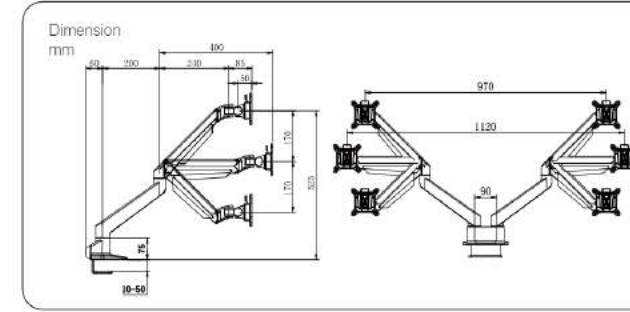


CS205

Full motion dual monitor gas arm

- LCD Size: ≤32"
- Wt. Capacity: 2-10kg / 8-20kg
- Lift: 340mm Swivel: ±90°
- Tilt: -30°~+75° Pivot: ±90°
- VESA 75×75mm \ 100×100mm

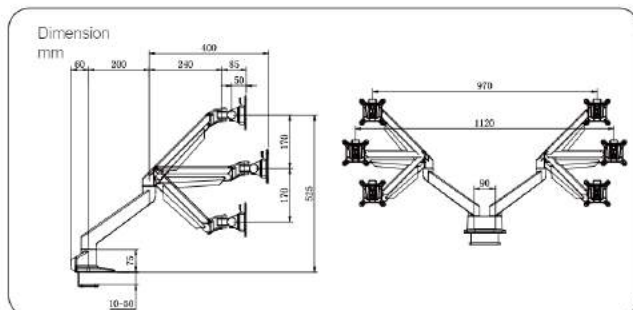
- Packing Size: Inner: 580×225×165mm
Outer: 595×240×515mm
Inner/Outer: 3/1
- N.W.: Inner: 7.2kg Outer: 21.8kg
- G.W.: Inner: 7.7kg Outer: 23.5kg
- Desk thickness: Thru-desk:10~60mm
Desk clamp:10~50mm



CS203

Full motion dual monitor gas arm

- Freely height and angle adjustable without any interference;
- Constant Force function design, use the gas cylinder structure to help easy adjustment for comfortable viewing;
- Pioneered idea for easy assembling way to solve the problem of the installation in tight spaces.

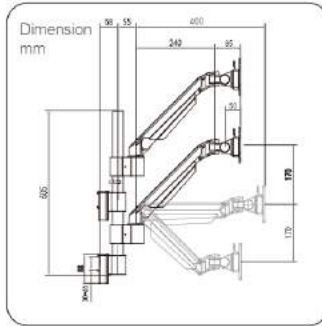


	LCD Size: ≤32"		
	Wt. Capacity: 2-10kg / 8-20kg		
	Lift: 340mm		Swivel: ±90°
	Tilt: -30°~+75°		Pivot: ±90°
	VESA 75×75mm \ 100×100mm		
	Inner: 580×225×165mm Outer: 595×240×515mm Inner/Outer: 3/1		
	N.W.: Inner: 7.2kg Outer: 21.6kg		
	G.W.: Inner: 7.7kg Outer: 23.5kg		
	Desk thickness: Thru-desk: 10~60mm Desk clamp: 10~50mm		



CS210

Full motion slatrail mount dual monitor gas arm



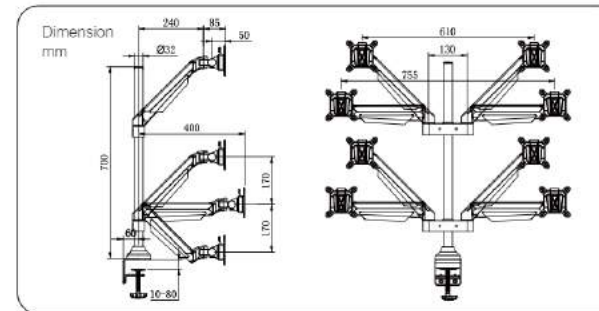
	LCD Size: 16:9 ≤34" 32:9 ≤49"		
	Wt. Capacity: 2-10kg		
	Lift: 340mm		Swivel: ±90°
	Tilt: -30°~+75°		Pivot: ±90°
	VESA 75×75mm \ 100×100mm		
	Inner: 645×275×165mm Outer: 660×290×515mm Inner/Outer: 3/1		
	N.W.: Inner: 6.2kg Outer: 18.6kg		
	G.W.: Inner: 6.9kg Outer: 22kg		
	Desk clamp: 30~65mm		



CS400

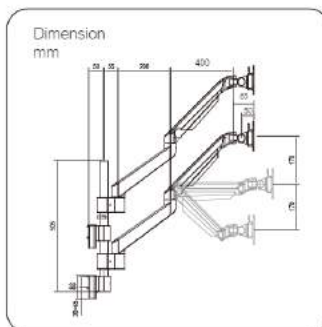
Full motion quad monitor gas arm

	LCD Size: ≤32"		Packing Size: 965×255×150mm
	Wt. Capacity: 2-10kg		N.W.: 10.5kg
	Lift: 340mm		G.W.: 12kg
	Tilt: -30°~+75°		Desk thickness: Thru-desk: 20~45mm Desk clamp: 10~80mm
	VESA 75×75mm \ 100×100mm		



CS211

Full motion slatrail mount dual monitor gas arm

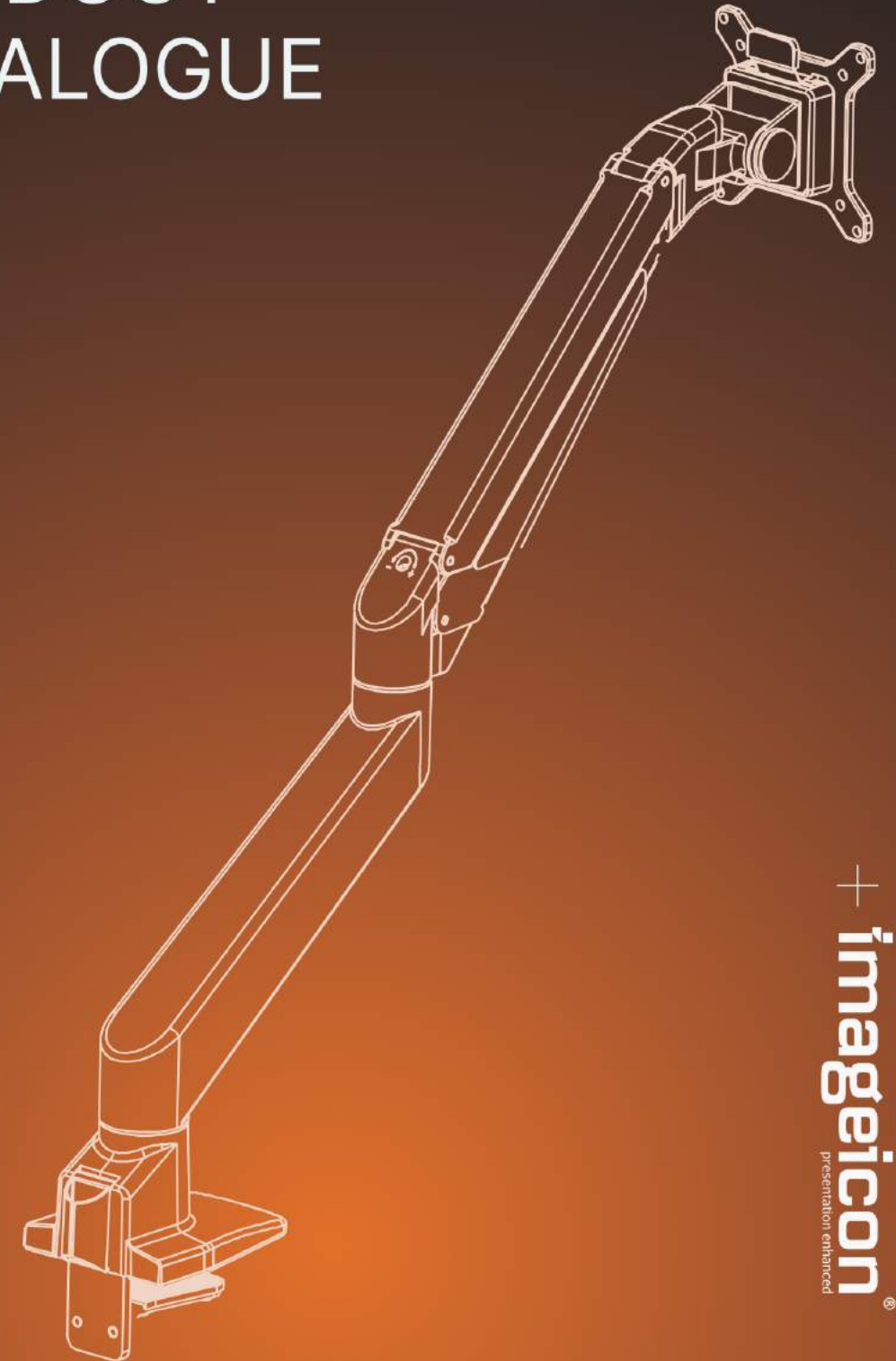


	LCD Size: 16:9 ≤34" 32:9 ≤49"		
	Wt. Capacity: 2-10kg		
	Lift: 340mm		Swivel: ±90°
	Tilt: -30°~+75°		Pivot: ±90°
	VESA 75×75mm \ 100×100mm		
	Inner: 645×275×165mm Outer: 660×290×515mm Inner/Outer: 3/1		
	N.W.: Inner: 7.4kg Outer: 22.2kg		
	G.W.: Inner: 8.1kg Outer: 25.5kg		
	Desk clamp: 30~65mm		




CT SERIES

PRODUCT CATALOGUE



+ imageicon®
presentation enhanced

 Click here to
chat with us

For Enquiry : +91 98430 44400

www.imageicon.in

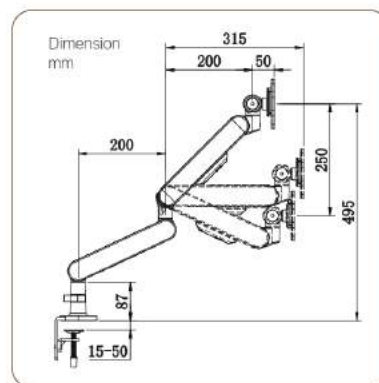


CTS100

Dynamic Desktop Monitor Arm

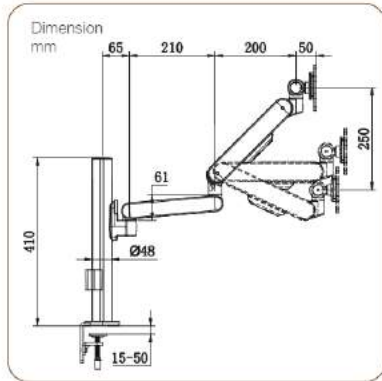


	Screen Size: ≤34"		
	Wt. Capacity: 2~9kg		
	Lift: 250mm		Swivel: 180°/360°
	Tilt: -10°~+90°		Pivot: ±90°
	VESA: 75x75mm \ 100x100mm		
	Inner: 490x245x105mm Master: 505x260x330mm Inner/Master: 3/1		
	N.W Inner: 2.9 Master: 8.7		
	G.W Inner: 3.5 Master: 11.5		
	Desktop Thickness: Grommet: 15-50mm Clamp: 15-50mm		



CTS102

Dynamic Desktop Monitor Arm

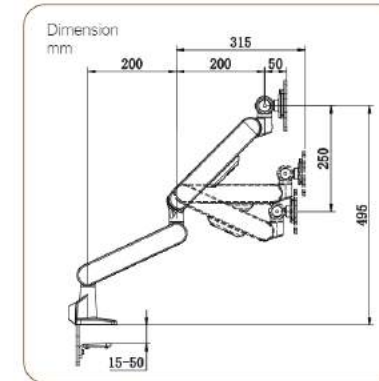


	Screen Size: ≤34"		
	Wt. Capacity: 2~9kg		
	Lift 250mm		Swivel 180°/360°
	Tilt -10°~+90°		Pivot: ±90°
	VESA 75×75mm \ 100×100mm		
	Inner: 585×265×120mm Master: 600×280×375mm Inner/Master : 3/1		
	N.W Inner3.7 Master11.1		
	G.W Inner4.4 Master14.4		
	Desktop Thickness Grommet :15~50mm Clamp :15~50mm		



CTS104

Dynamic Desktop Monitor Arm

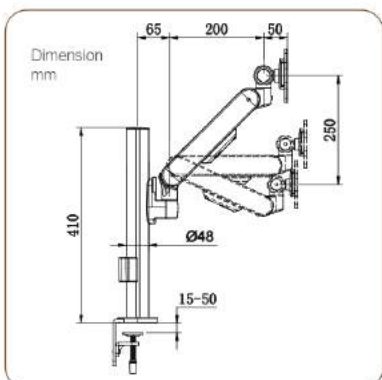


	Screen Size: ≤34"		
	Wt. Capacity: 2~9kg		
	Lift 250mm		Swivel 180°/360°
	Tilt -10°~+90°		Pivot: ±90°
	VESA 75×75mm \ 100×100mm		
	Inner: 490×245×105mm Master: 505×260×330mm Inner/Master : 3/1		
	N.W Inner2.6 Master7.8		
	G.W Inner3.2 Master10.6		
	Desktop Thickness Grommet :15~50mm Clamp :15~50mm		



CTS103

Dynamic Desktop Monitor Arm

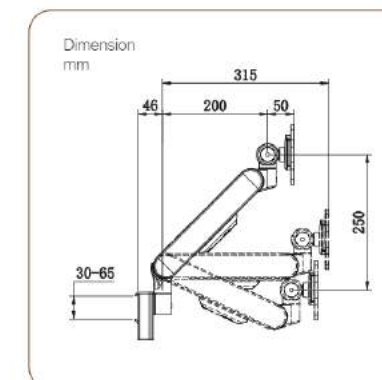


	Screen Size: ≤34"		
	Wt. Capacity: 2~9kg		
	Lift 250mm		Swivel 180°/360°
	Tilt -10°~+90°		Pivot: ±90°
	VESA 75×75mm \ 100×100mm		
	Inner: 585×265×120mm Master: 600×280×375mm Inner/Master : 3/1		
	N.W Inner3.2 Master9.6		
	G.W Inner3.9 Master12.9		
	Desktop Thickness Grommet :15~50mm Clamp :15~50mm		



CTS106

Slat Rail Mounted Monitor Arm

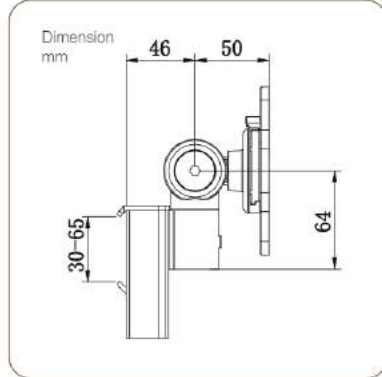


	Screen Size: ≤34"		
	Wt. Capacity: 2~9kg		
	Lift 250mm		Swivel 180°/360°
	Tilt -10°~+90°		Pivot: ±90°
	VESA 75×75mm \ 100×100mm		
	Inner: 490×245×105mm Master: 505×260×330mm Inner/Master : 3/1		
	N.W Inner1.8 Master5.4		
	G.W Inner2.4 Master8.2		
	Slat rail clamp range: 30~65mm		

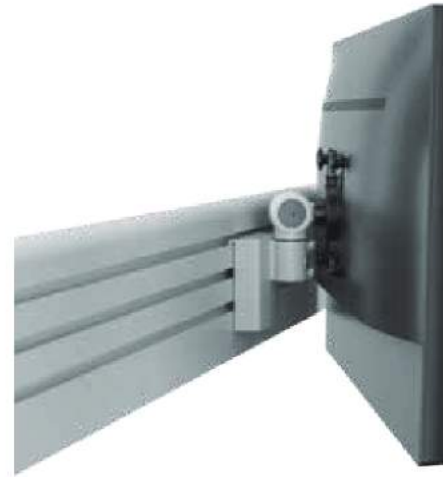


CTS107

Slat Rail Mounted Monitor Arm

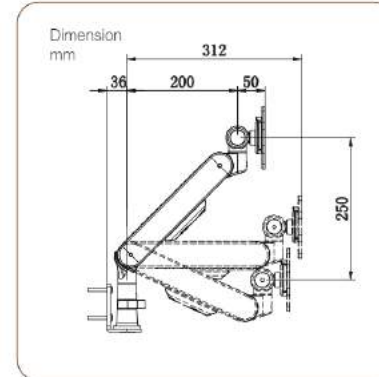


Screen Size	≤34"	
Wt. Capacity	2-9kg	Swivel 180°/360°
Tilt	-10°~+90°	Pivot: ±90°
VESA	75×75mm \ 100×100mm	
Packing Size	Inner: 170×120×120mm Master: 615×355×140mm Inner/Master: 3/1	
N.W	Inner0.7	Master7.0
G.W	Inner0.9	Master10.0
Slat rail clamp range	30-65mm	



CTS110

Wall Mounted Monitor Arm

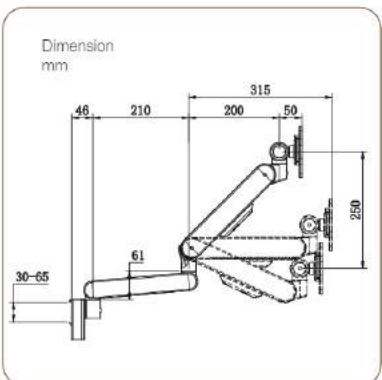


Screen Size	≤34"	
Wt. Capacity	2-9kg	
Lift	250mm	Swivel 180°/360°
Tilt	-10°~+90°	Pivot: ±90°
VESA	75×75mm \ 100×100mm	
Packing Size	Inner: 490×245×105mm Master: 505×260×330mm Inner/Master: 3/1	
N.W	Inner2.0	Master6.0
G.W	Inner2.6	Master8.8
Hole Size	50×50mm	



CTS108

Slat Rail Mounted Monitor Arm

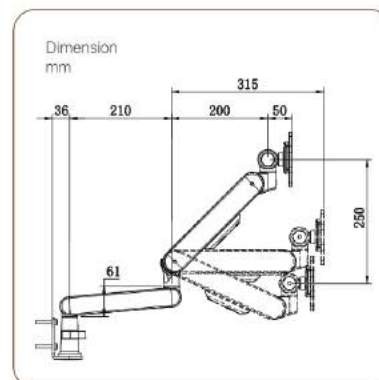


Screen Size	≤34"	
Wt. Capacity	2-9kg	
Lift	250mm	Swivel 180°/360°
Tilt	-10°~+90°	Pivot: ±90°
VESA	75×75mm \ 100×100mm	
Packing Size	Inner: 490×245×105mm Master: 505×260×330mm Inner/Master: 3/1	
N.W	Inner2.3	Master
G.W	Inner3.0	Master10.0
Slat rail clamp range	30-65mm	



CTS112

Wall Mounted Monitor Arm



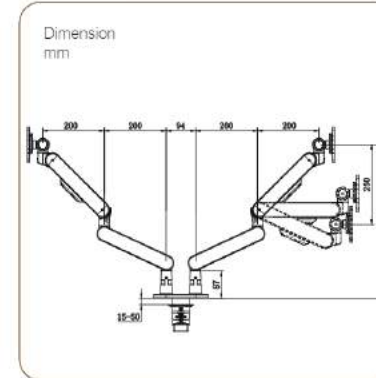
Screen Size	≤34"	
Wt. Capacity	2-9kg	
Lift	250mm	Swivel 180°/360°
Tilt	-10°~+90°	Pivot: ±90°
VESA	75×75mm \ 100×100mm	
Packing Size	Inner: 490×245×105mm Master: 505×260×330mm Inner/Master: 3/1	
N.W	Inner2.5	Master7.5
G.W	Inner3.2	Master10.6
Hole Size	50×50mm	





CTS203

Dual Dynamic Desktop Monitor Arm

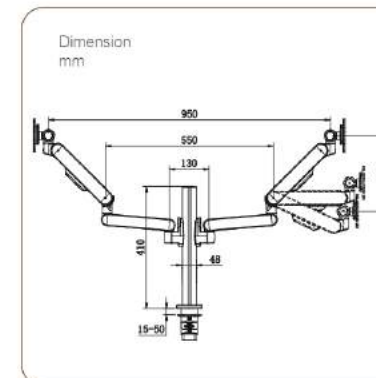


Screen Size: ≤34"	
Wt. Capacity: 2~9kg	
Lift 250mm	Swivel 180°/360°
Tilt -10°~+90°	Pivot: ±90°
VESA 75x75mm \ 100x100mm	
Packing Size	Inner: 505x310x130mm Master: 520x325x410mm Inner/Master : 3/1
N.W	Inner5.4 Master16.2
G.W	Inner6.5 Master21.1
Desktop Thickness	Grommet :15~50mm Clamp :15~50mm



CTS200

Dual Dynamic Desktop Monitor Arm

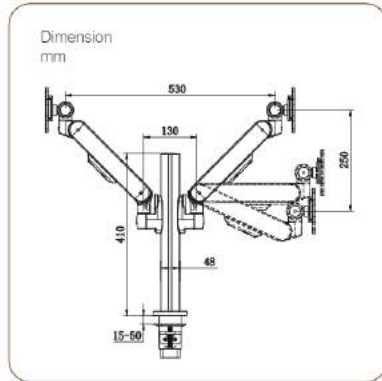


Screen Size: ≤34"	
Wt. Capacity: 2~9kg	
Lift 250mm	Swivel 180°/360°
Tilt -10°~+90°	Pivot: ±90°
VESA 75x75mm \ 100x100mm	
Packing Size	Inner: 685x280x125mm Master: 700x295x395mm Inner/Master : 3/1
N.W	Inner5.8 Master17.4
G.W	Inner6.8 Master22.0
Desktop Thickness	Grommet :15~50mm Clamp :15~50mm



CTS201

Dual Dynamic Desktop Monitor Arm

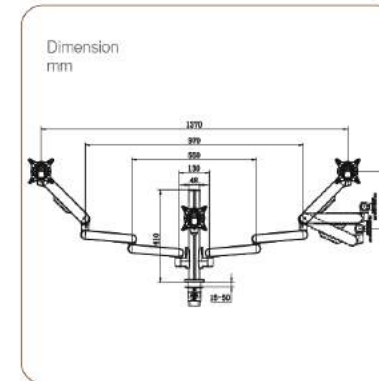


	Screen Size: $\leq 22"$		
	Wt. Capacity: 2-9kg		
	Lift 250mm		Swivel 180°/360°
	Tilt -10°~+90°		Pivot: $\pm 90^\circ$
	VESA 75x75mm \ 100x100mm		
	Packing Size Inner: 685x280x125mm Master: 700x295x395mm Inner/Master: 3/1		
	N.W Inner4.8	Master14.4	
	G.W Inner5.8	Master	
	Desktop Thickness Grommet :15-50mm Clamp :15-50mm		



CTS301

Triple Dynamic Monitor Arm

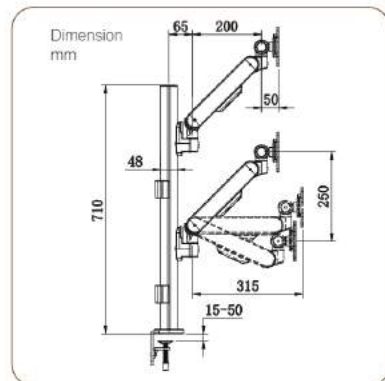


	Screen Size: $\leq 32"$		
	Wt. Capacity: 2-9kg		
	Lift 250mm		Swivel 180°/360°
	Tilt -10°~+90°		Pivot: $\pm 90^\circ$
	VESA 75x75mm \ 100x100mm		
	Packing Size 755x275x135mm		
	N.W7.3		
	G.W8.5		
	Desktop Thickness Grommet :15-50mm Clamp :15-50mm		



CTS202

Dual Dynamic Desktop Monitor Arm

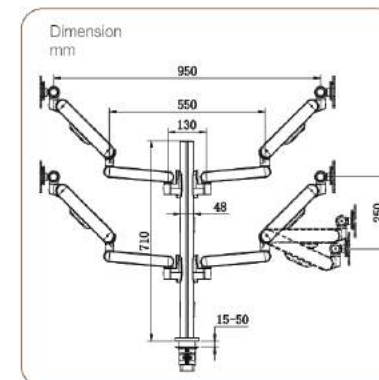


	Screen Size: $\leq 34"$		
	Wt. Capacity: 2-9kg		
	Lift 250mm		Swivel 180°/360°
	Tilt -10°~+90°		Pivot: $\pm 90^\circ$
	VESA 75x75mm \ 100x100mm		
	Packing Size Inner: 840x220x145mm Master: 855x235x455mm Inner/Master: 3/1		
	N.W Inner5.3	Master15.9	
	G.W Inner6.5	Master21.1	
	Desktop Thickness Grommet :15-50mm Clamp :15-50mm		



CTS401

Quad Dynamic Monitor Arm

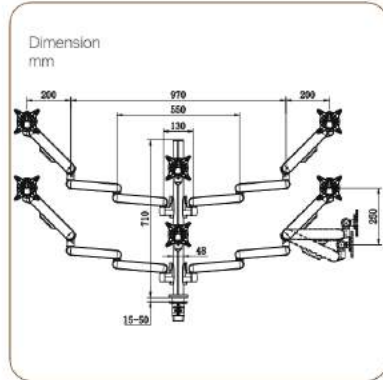


	Screen Size: $\leq 34"$		
	Wt. Capacity: 2-9kg		
	Lift 250mm		Swivel 180°/360°
	Tilt -10°~+90°		Pivot: $\pm 90^\circ$
	VESA 75x75mm \ 100x100mm		
	Packing Size 910x335x135mm		
	N.W10.6		
	G.W12.1		
	Desktop Thickness Grommet :15-50mm Clamp :15-50mm		



CTS600

Sextuple Dynamic Monitor Arm

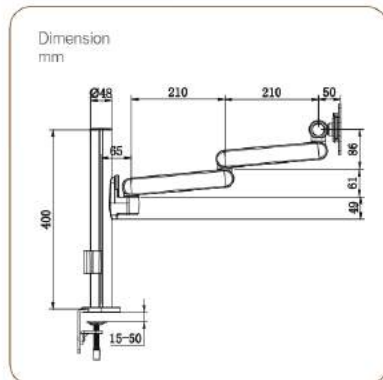


	Screen Size: $\leq 32"$		
	Wt. Capacity: 2-9kg		
	Lift: 250mm		Swivel: 180°/360°
	Tilt: -10° ~ $+90^{\circ}$		Pivot: $\pm 90^{\circ}$
	VESA: 75x75mm \ 100x100mm		
	Packing Size: 845x465x135mm		
	N.W: 13.7		
	G.W: 15.5		
	Desktop Thickness: Grommet: 15-50mm Clamp: 15-50mm		



CTM100

Pole arm

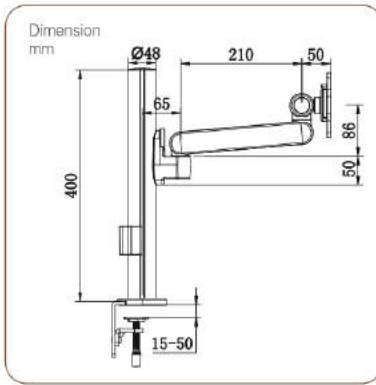


	Screen Size: $\leq 34"$		
	Wt. Capacity: 12kg		Post Height: 400mm
	Lift: 250mm		Swivel: 180°/360°
	Tilt: -10° ~ $+90^{\circ}$		Pivot: $\pm 90^{\circ}$
	VESA: 75x75mm \ 100x100mm		
	Packing Size: Inner: 585x265x120mm Master: 600x280x375mm Inner/Master: 3/1		
	N.W: Inner 3.1 Master 9.3		
	G.W: Inner 3.8 Master 12.5		
	Desktop Thickness: Grommet: 15-50mm Clamp: 15-50mm		



CTM101

Pole Arm

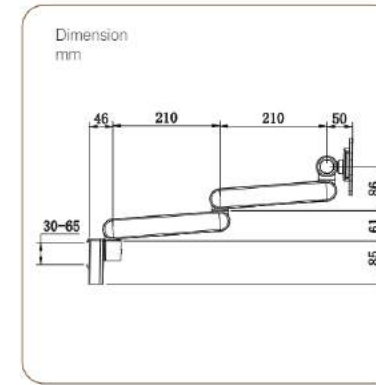


Screen Size: 34"	Wt. Capacity: 12kg	Post Height: 400mm
Lift: 300mm	Swivel: 180°/360°	
Tilt: -10°~+90°	Pivot: ±90°	
VESA: 75×75mm \ 100×100mm		
Packing Size	Inner: 585×265×120mm	Master: 600×280×375mm
	Inner/Master: 3/1	
N.W	Inner: 2.55	Master: 7.65
G.W	Inner: 3.3	Master: 11.0
Desktop Thickness	Grommet: 15~50mm	Clamp: 15~50mm



CTM103

Slat Rail Mounted Monitor Arm

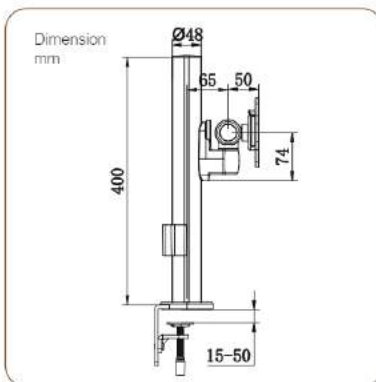


Screen Size: 34"	Wt. Capacity: 12kg	
Swivel: 180°/360°		
Tilt: -10°~+90°	Pivot: ±90°	
VESA: 75×75mm \ 100×100mm		
Packing Size	Inner: 520×160×130mm	Master: 535×175×410mm
	Inner/Master: 3/1	
N.W	Inner: 1.7	Master: 5.1
G.W	Inner: 2.4	Master: 8.2
Slat rail clamp range	30~65mm	



CTM102

Pole Arm

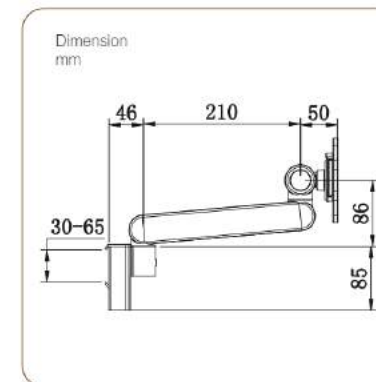


Screen Size: 34"	Wt. Capacity: 12kg	Post Height: 400mm
Lift: 300mm	Swivel: 180°/360°	
Tilt: -10°~+90°	Pivot: ±90°	
VESA: 75×75mm \ 100×100mm		
Packing Size	Inner: 585×265×120mm	Master: 600×280×375mm
	Inner/Master: 3/1	
N.W	Inner: 2.05	Master: 6.2
G.W	Inner: 2.8	Master: 9.2
Desktop Thickness	Grommet: 15~50mm	Clamp: 15~50mm



CTM104

Slat Rail Mounted Monitor Arm

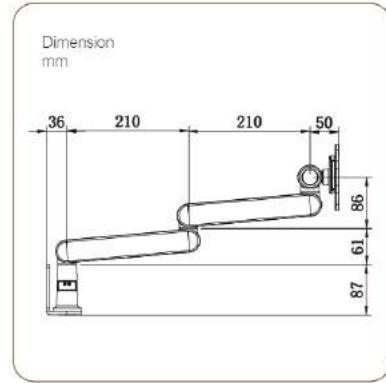


Screen Size: 34"	Wt. Capacity: 12kg	
Swivel: 180°/360°		
Tilt: -10°~+90°	Pivot: ±90°	
VESA: 75×75mm \ 100×100mm		
Packing Size	Inner: 520×160×130mm	Master: 535×175×410mm
	Inner/Master: 3/1	
N.W	Inner: 1.2	Master: 3.6
G.W	Inner: 1.9	Master: 6.7
Slat rail clamp range	30~65mm	

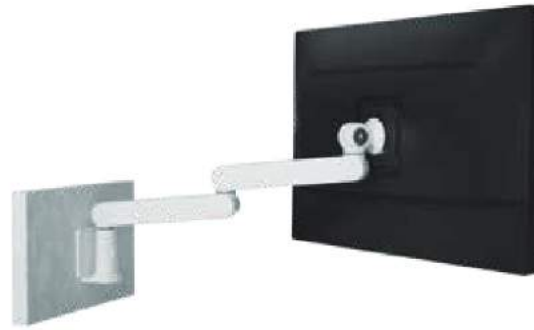


CTM105

Wall Mounted Monitor Arm

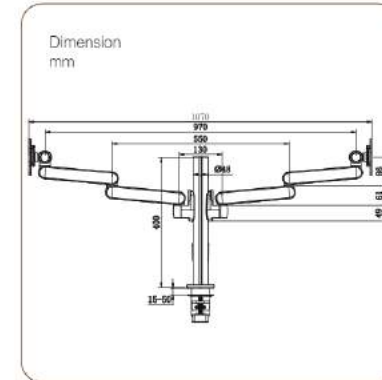


Screen Size: 34"
Wt. Capacity: 12kg
Swivel 180°/360°
Tilt -10°~+90° Pivot: ±90°
VESA 75x75mm \ 100x100mm
Packing Size Inner: 520x160x130mm Master: 535x175x410mm Inner/Master : 3/1
N.W Inner1.9 Master5.7
G.W Inner2.6 Master6.8
Hole Size 50x50mm



CTM200

Pole Double Monitor Arm

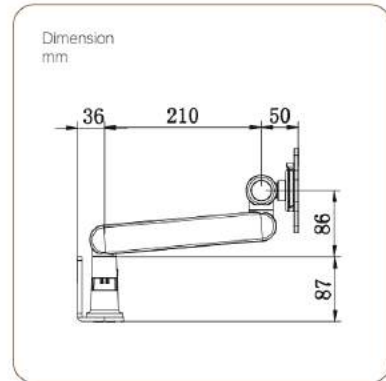


Screen Size: 34"	Post Height: 400mm
Wt. Capacity: 12kg	Swivel 180°/360°
Lift 300mm	Pivot: ±90°
Tilt -10°~+90°	VESA 75x75mm \ 100x100mm
Packing Size Inner: 685x280x125mm Master: 700x295x395mm Inner/Master : 3/1	
N.W Inner4.6 Master13.8	
G.W Inner5.6 Master18.4	
Desktop Thickness Grommet :15-50mm Clamp :15-50mm	



CTM106

Wall Mounted Monitor Arm

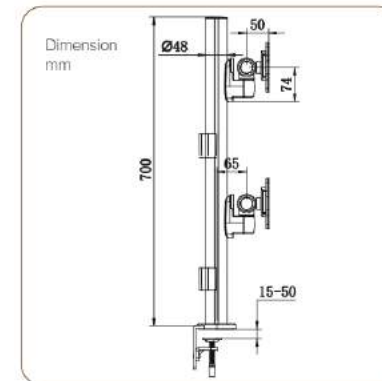


Screen Size: 34"
Wt. Capacity: 12kg
Swivel 180°/360°
Tilt -10°~+90° Pivot: ±90°
VESA 75x75mm \ 100x100mm
Packing Size Inner: 520x160x130mm Master: 535x175x410mm Inner/Master : 3/1
N.W Inner1.4 Master4.2
G.W Inner2.1 Master7.3
Hole Size 50x50mm



CTM201

Pole Double Monitor Arm

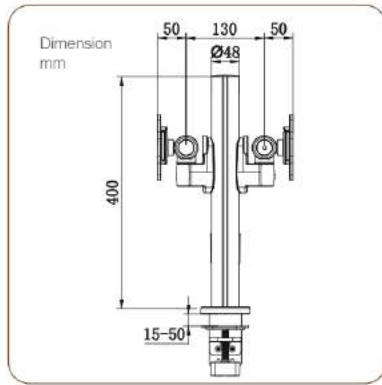


Screen Size: 34"	Post Height: 700mm
Wt. Capacity: 12kg	Swivel 180°/360°
Tilt -10°~+90°	Pivot: ±90°
VESA 75x75mm \ 100x100mm	
Packing Size Inner: 840x220x145mm Master: 855x235x455mm Inner/Master : 3/1	
N.W Inner3.0 Master9.0	
G.W Inner3.7 Master12.1	
Desktop Thickness Grommet :15-50mm Clamp :15-50mm	



CTM202

Pole Double Monitor Arm

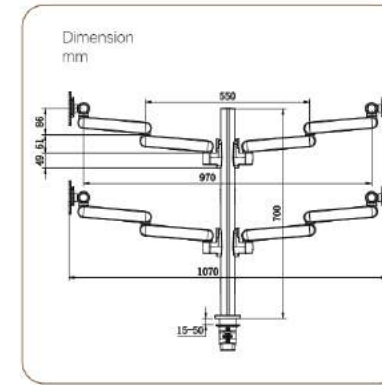


Screen Size: 34"	Wt. Capacity: 12kg	Post Height: 400mm
Lift: 300mm	Swivel: 180°/360°	
Tilt: -10°~+90°	Pivot: ±90°	
VESA: 75x75mm \ 100x100mm		
Packing Size: Inner: 540x175x130mm Master: 555x190x410mm Inner/Master: 3/1		
N.W: Inner2.5 Master7.5		
G.W: Inner3.1 Master10.3		
Desktop Thickness: Grommet: 15-50mm Clamp: 15-50mm		



CTM400

Pole Quad Monitor Arm

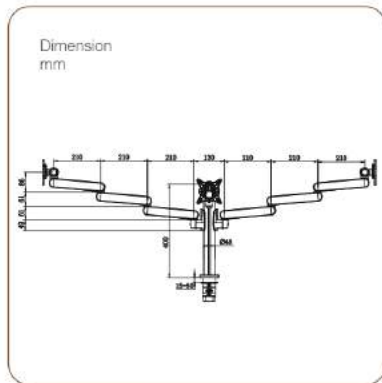


Screen Size: 34"	Wt. Capacity: 12kg	Post Height: 700mm	Swivel: 180°/360°
Tilt: -10°~+90°	Pivot: ±90°		
VESA: 75x75mm \ 100x100mm			
Packing Size: 910x335x135mm			
N.W: 8.2			
G.W: 8.8			
Desktop Thickness: Grommet: 15-50mm Clamp: 15-50mm			



CTM300

Pole Triple Monitor Arm

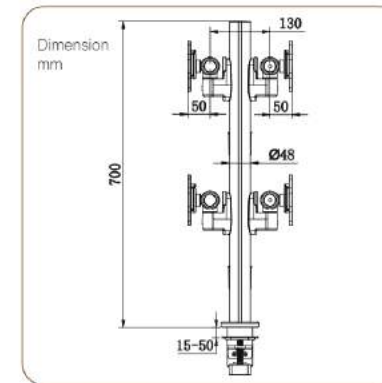


Screen Size: 32"	Wt. Capacity: 8kg	Post Height: 400mm
Lift: 250mm	Swivel: 180°/360°	
Tilt: -10°~+90°	Pivot: ±90°	
VESA: 75x75mm \ 100x100mm		
Packing Size: 755x275x135mm		
N.W: 6.1		
G.W: 7.4		
Desktop Thickness: Grommet: 15-50mm Clamp: 15-50mm		



CTM401

Pole Quad Monitor Arm



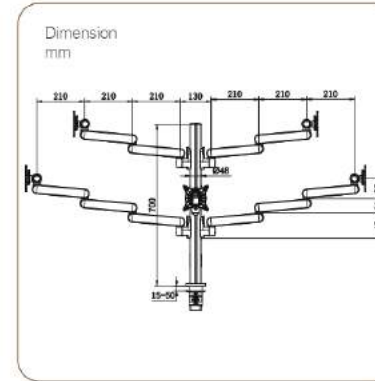
Screen Size: 34"	Wt. Capacity: 12kg	Post Height: 400mm
Lift: 300mm	Swivel: ±90°	
Tilt: -10°~+90°	Pivot: ±90°	
VESA: 75x75mm \ 100x100mm		
Packing Size: Inner: 840x220x145mm Master: 855x235x455mm Inner/Master: 3/1		
N.W: Inner4.0 Master12.0		
G.W: Inner4.7 Master15.1		
Desktop Thickness: Grommet: 15-50mm Clamp: 15-50mm		





CTM500

Pole Quintuple Monitor Arm

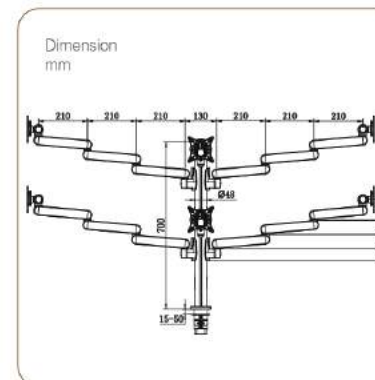


	Screen Size: 32"		
	Wt. Capacity: 8kg		
	Post Height: 700mm		Swivel: 180°/360°
	Tilt: -10°~+90°		Pivot: ±90°
	VESA: 75×75mm \ 100×100mm		
	Packing Size: 845×485×135mm		
	N.W: 9.7		
	G.W: 11.5		
	Desktop Thickness: Grommet: 15-50mm Clamp: 15-50mm		



CTM600

Pole Sextuple Monitor Arm

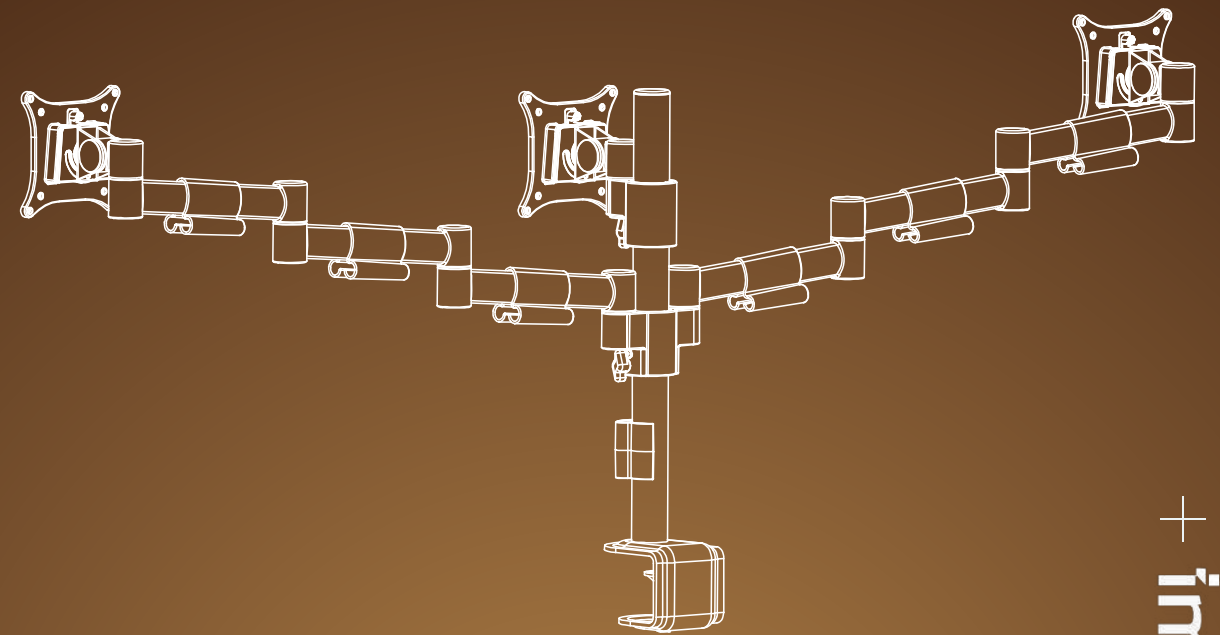



	Screen Size: 32"		
	Wt. Capacity: 8kg		
	Post Height: 700mm		Swivel: 180°/360°
	Tilt: -10°~+90°		Pivot: ±90°
	VESA: 75×75mm \ 100×100mm		
	Packing Size: 845×485×135mm		
	N.W: 11.2		
	G.W: 13.0		
	Desktop Thickness: Grommet: 15-50mm Clamp: 15-50mm		



M SERIES

PRODUCT CATALOGUE



 [Click here to chat with us](#)

For Enquiry : +91 98430 44400

www.imageicon.in

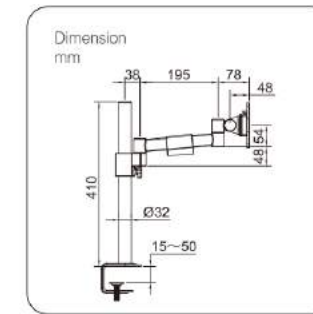


+ **imageicon**
presentation enhanced



M101

Full motion desk monitor arm

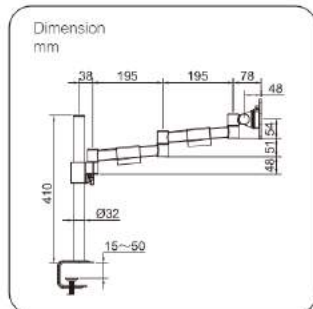


- LCD Size: ≤34" Wt. Capacity: ≤8kg
- Tilt: +85°~ -60° Post height: 400mm
- Swivel: 360° Pivot: ±90°
- VESA 75×75mm \ 100×100mm
- Packing Size: 545×230×150mm
- N.W.: 2.4kg G.W.: 2.9kg
- Desk thickness: Thru-desk:10~50mm
Desk-clamp:15~50mm

M100

Single vertical monitor arm in dual combination

- Freely adjust different LCD heights through the hoop.
- Dual extend arm design, convenient adjustment.

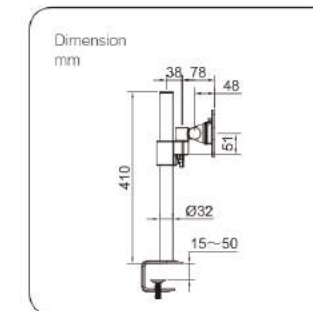


- LCD Size: ≤34" Wt. Capacity: ≤8kg
- Tilt: +85°~ -60° Post height: 400mm
- Swivel: 360° Pivot: ±90°
- VESA 75×75mm \ 100×100mm
- Packing Size: Outer: 565×270×375mm
Inner: 555×250×120mm
Inner/Outer :3/1
- N.W.: Inner: 2.8kg Outer: 8.3kg
- G.W.: Inner: 3.5kg Outer: 11.7kg
- Desk thickness: Thru-desk: 10~50mm
Desk-clamp: 15~50mm



M102

Full motion desk monitor arm

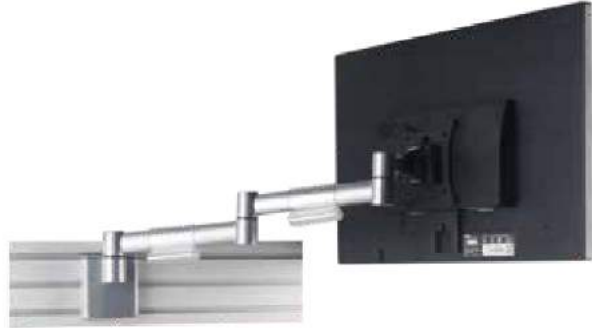
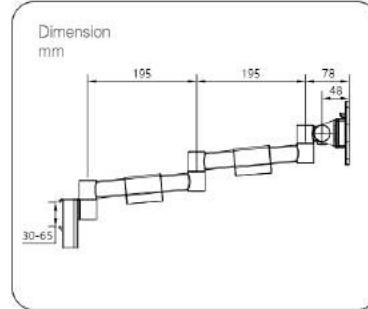


- LCD Size: ≤34" Wt. Capacity: ≤8kg
- Tilt: +85°~ -60° Post height: 400mm
- Swivel: 360° Pivot: ±90°
- VESA 75×75mm \ 100×100mm
- Packing Size: 535×200×155mm
- N.W.: 2.1kg G.W.: 2.5kg
- Desk thickness: Thru-desk:10~50mm
Desk-clamp:15~50mm

M108

Slatrail monitor arm

- Freely adjust different LCD heights through the hoop.
- Dual extend arm design, convenient adjustment.
- Slat wall mount, strong & smooth movement.



LCD Size: ≤34"

Tilt: +85°~ -60° Wt. Capacity: ≤8kg

Swivel: 360° Pivot: ±90°

VESA 75×75mm \ 100×100mm

Packing Size: Inner: 375×265×120mm
Outer: 390×280×380mm
Inner/Outer: 3/1

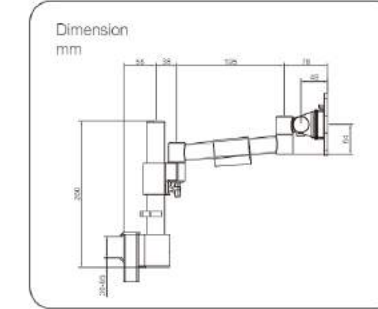
N.W.: Inner: 2.2kg Outer: 6.6kg

G.W.: Inner: 2.9kg Outer: 9.8kg

Desk clamp: 30~65mm

M110

Slatrail monitor arm



LCD Size: ≤34" Wt. Capacity: ≤8kg

Tilt: +85°~ -60° Post height: 260mm

Swivel: 360° Pivot: ±90°

VESA 75×75mm \ 100×100mm

Packing Size: Inner: 620×285×145mm
Outer: 635×300×455mm
Inner/Outer: 3/1

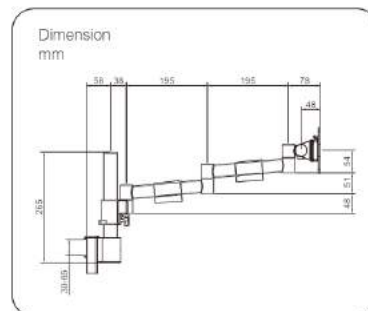
N.W.: Inner: 2.8kg Outer: 8.3kg

G.W.: Inner: 3.5kg Outer: 11.7kg

Desk clamp: 30~65mm

M109

Slatrail monitor arm



LCD Size: ≤34" Wt. Capacity: ≤8kg

Tilt: +85°~ -60° Post height: 260mm

Swivel: 360° Pivot: ±90°

VESA 75×75mm \ 100×100mm

Packing Size: Inner: 620×285×145mm
Outer: 635×300×455mm
Inner/Outer: 3/1

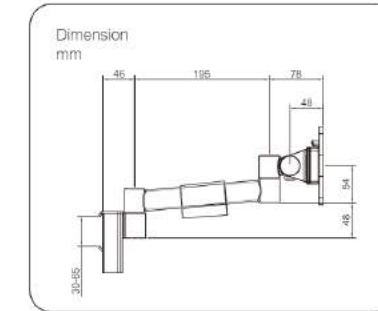
N.W.: Inner: 2.6kg Outer: 7.8kg

G.W.: Inner: 3.1kg Outer: 11kg

Desk clamp: 30~65mm

M111

Slatrail monitor arm



LCD Size: ≤34"

Tilt: +85°~ -60° Wt. Capacity: ≤8kg

Swivel: 360° Pivot: ±90°

VESA 75×75mm \ 100×100mm

Packing Size: Inner: 375×265×120mm
Outer: 390×280×380mm
Inner/Outer: 3/1

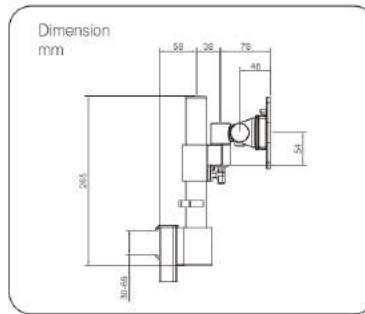
N.W.: Inner: 2.3kg Outer: 6.9kg

G.W.: Inner: 1.5kg Outer: 8.9kg

Desk clamp: 30~65mm

M112

Slatrail monitor arm



LCD Size: ≤34" Wt. Capacity: ≤8kg

Tilt: +85°~-60° Post height: 265mm

Swivel: 360° Pivot: ±90°

VESA 75×75mm \ 100×100mm

Packing Size: Inner: 300×195×140mm
Outer: 315×210×440mm
Inner/Outer :3/1

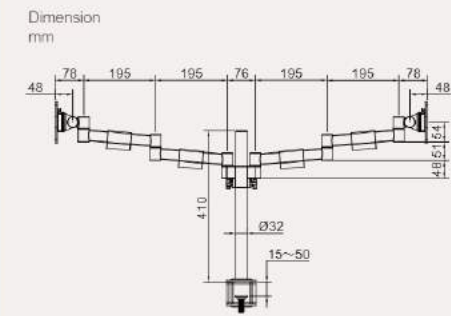
N.W.: Inner: 2.5kg Outer: 7.5kg

G.W.: Inner: 3.0kg Outer: 9.5kg

Desk clamp: 30-65mm

M200

Full motion desk dual monitor arm



LCD Size ≤30" Wt. Capacity ≤8kg

Tilt +85°~-60° Post height 400mm

Swivel 360° Pivot ±90°

VESA 75×75mm \ 100×100mm

Packing Size Inner: 570×340×120mm
Outer: 585×355×375mm
Inner/Outer : 3/1

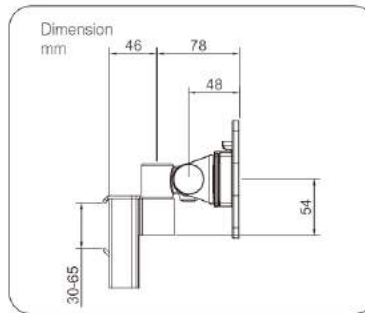
N.W. Inner: 3.9kg Outer: 11.7kg

G.W. Inner: 4.8kg Outer: 16.2kg

Desk thickness Thru-desk: 10-50mm
Desk clamp: 15-50mm

M113

Slatrail monitor arm



LCD Size: ≤34"

Tilt: +85°~-60° Wt. Capacity: ≤8kg

Swivel: 360° Pivot: ±90°

VESA 75×75mm \ 100×100mm

Packing Size: Inner: 175×170×140mm
Outer: 365×355×160mm
Inner/Outer :3/1

N.W.: Inner: 2.0kg Outer: 6.0kg

G.W.: Inner: 2.5kg Outer: 8.0kg

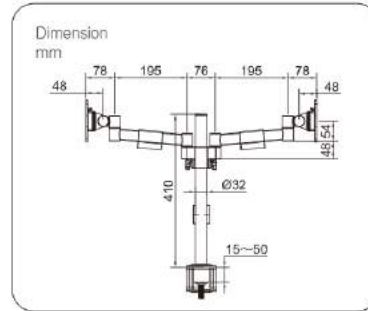
Desk clamp: 30-65mm





M201

Full motion desk dual monitor arm

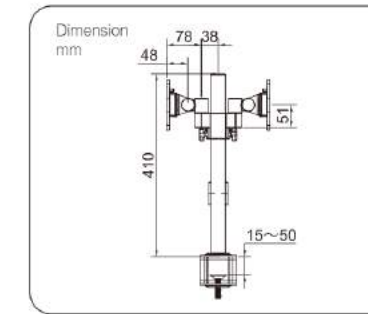


- LCD Size: ≤17" Wt. Capacity: ≤8kg
- Tilt: +85°~60° Post height: 400mm
- Swivel: 360° Pivot: ±90°
- VESA 75×75mm \ 100×100mm
- Packing Size: 635×260×155mm
- N.W.: 3.2kg G.W.: 3.8kg
- Desk thickness: Thru-desk: 10~50mm
Desk-clamp: 15~50mm



M203

Full motion desk dual monitor arm

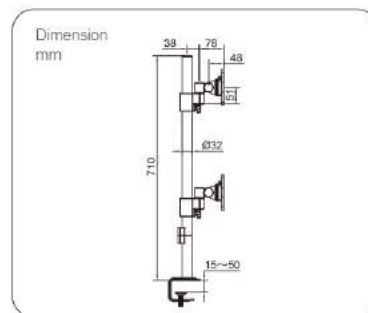


- LCD Size: ≤34" Wt. Capacity: ≤8kg
- Tilt: +85°~60° Post height: 400mm
- Swivel: 360° Pivot: ±90°
- VESA 75×75mm \ 100×100mm
- Packing Size: 540×200×155mm
- N.W.: 2.4kg G.W.: 2.9kg
- Desk thickness: Thru-desk: 10~50mm
Desk-clamp: 15~50mm



M202

Full motion desk dual monitor arm

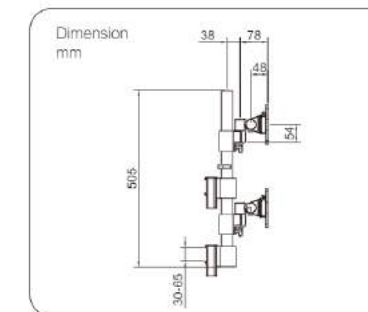


- LCD Size: ≤34" Wt. Capacity: ≤8kg
- Tilt: +85°~60° Post height: 700mm
- Swivel: 360° Pivot: ±90°
- VESA 75×75mm \ 100×100mm
- Packing Size: 850×200×155mm
- N.W.: 3.0kg G.W.: 3.7kg
- Desk thickness: Thru-desk: 10~50mm
Desk-clamp: 15~50mm



M213

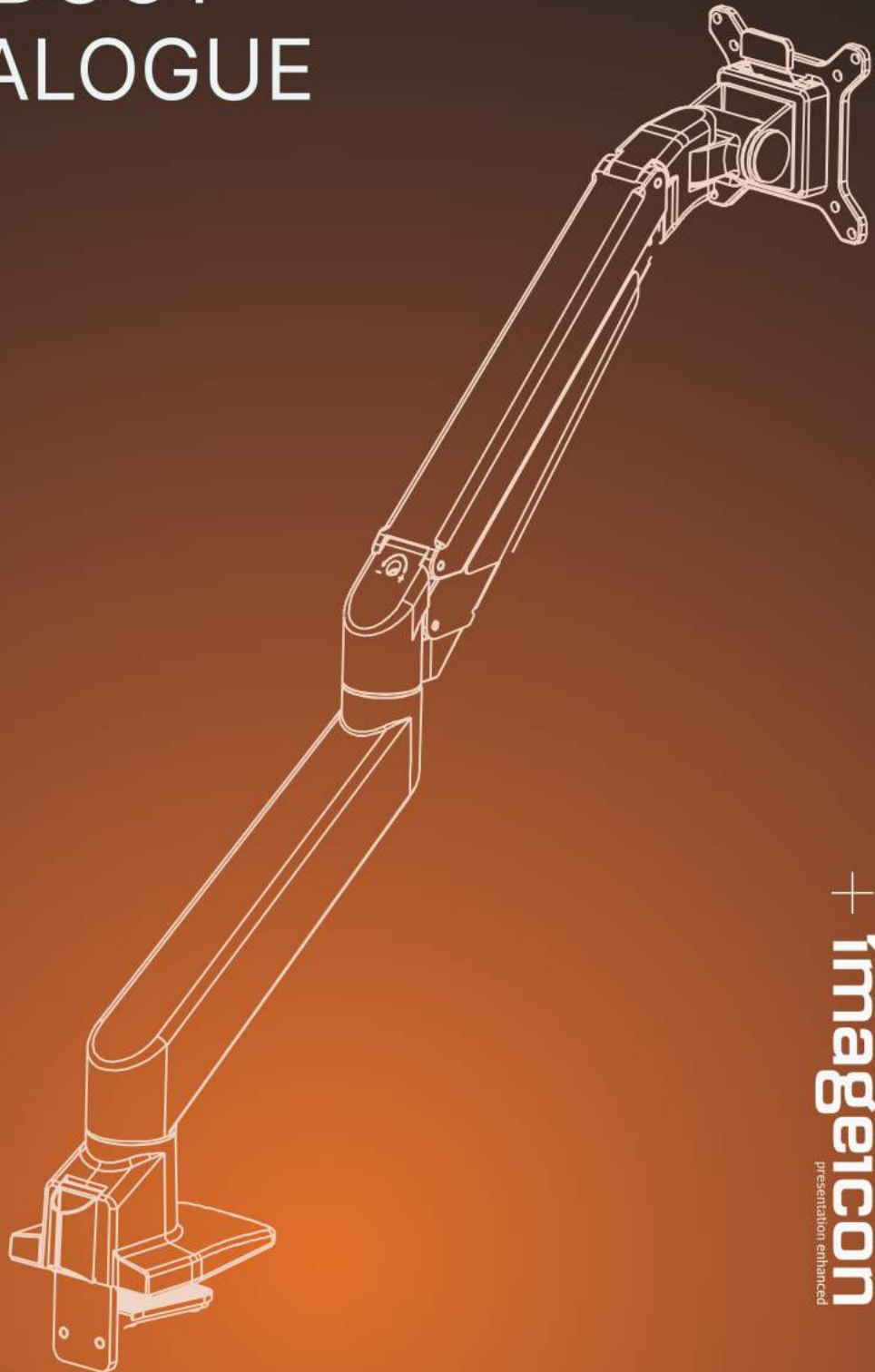
Slatrail dual monitor arm



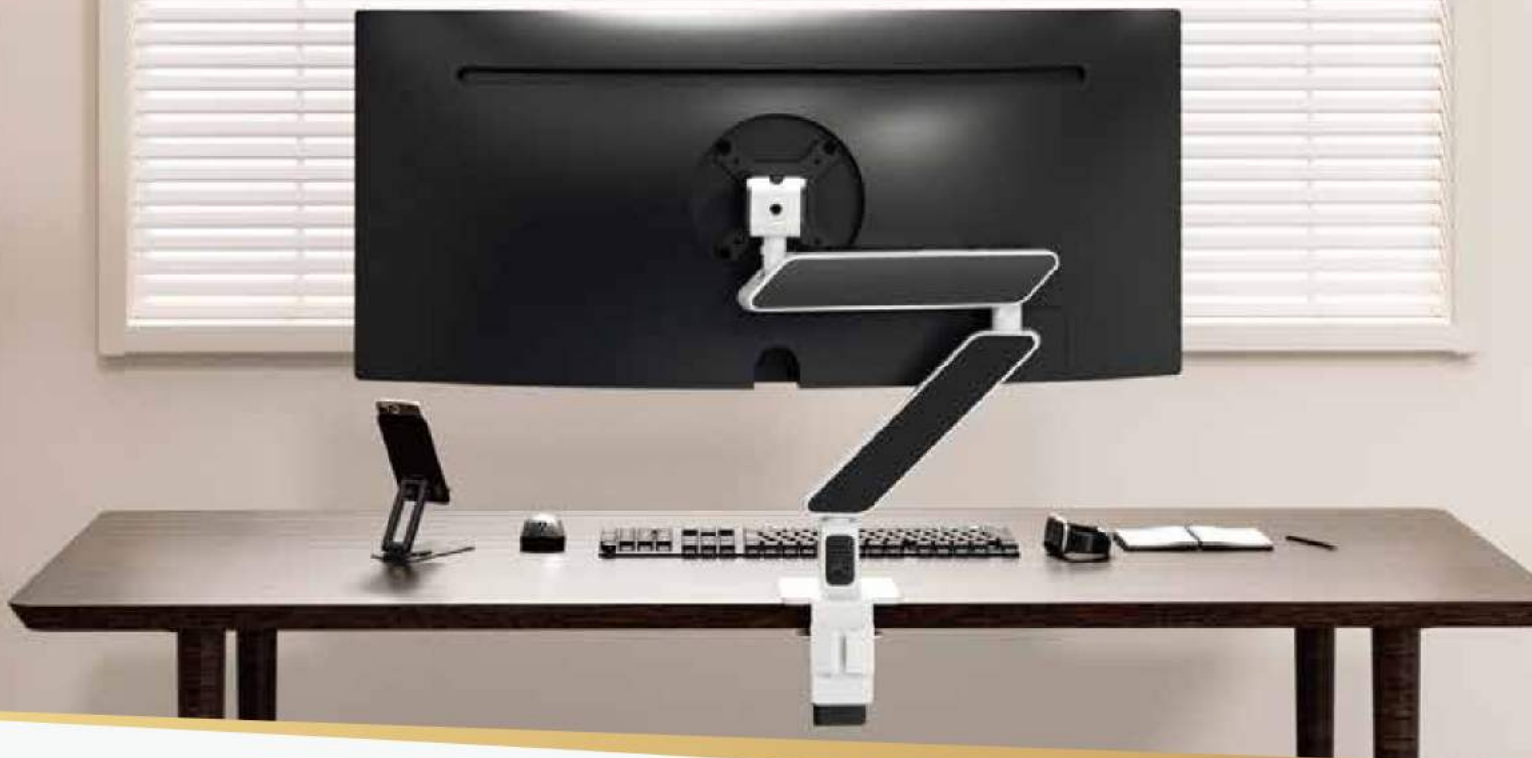
- LCD Size: ≤34" Wt. Capacity: ≤8kg
- Tilt: +85°~60° Post height: 500mm
- Swivel: 360° Pivot: ±90°
- VESA 75×75mm \ 100×100mm
- Packing Size: Inner: 620×285×145mm
Outer: 635×300×455mm
Inner/Outer: 3/1
- N.W.: Inner: 2.8kg Outer: 8.3kg
- G.W.: Inner: 3.5kg Outer: 11.7kg
- Desk clamp: 30~65mm

W SERIES

PRODUCT CATALOGUE



+ **imageicon**[®]
presentation enhanced



Quick release



Torsional spring

- Patented design
- Split-type clamp
- Customizable side cover
- Stop function
- Long life time mechanical spring
- Torsional spring
- Concise wire manager



Mechanical spring



Quick lock clamp

Color Options:



● Black



○ White



● Wood Grain



● Black Plaid



● Orange Plaid



● Carmine Plaid



● Orange Leather

W100 MONITOR ARM

Screen Size: 16:9 34" 32:9 49"

Wt. Capacity: 2~9kg

Lift: 265mm Swivel: $\pm 90^\circ$

Tilt: $-15^\circ \sim +90^\circ$ Pivot: $\pm 180^\circ$

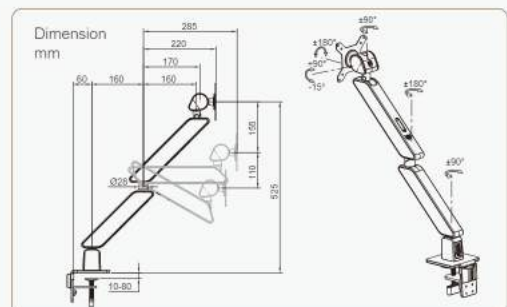
VESA: 75x75mm \ 100x100mm

Packing Size Inner: 450x240x130mm
Master: 470x255x410mm
Inner/Master: 3/1

N.W Inner: 3.4kg Master: 4.3kg

G.W Inner: 10.2kg Master: 14kg

Desktop Thickness Grommet: 10~80mm
Clamp: 10~80mm





”

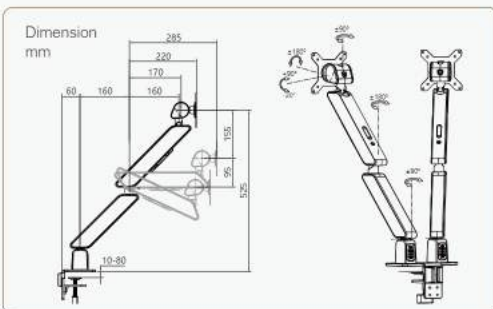
W200

DUAL DYNAMIC DESKTOP MONITOR ARM

	Screen Size : 34 "			
	Wt. Capacity: 2~9kg			
	Lift 250mm		Swivel $\pm 90^\circ$	
	Tilt $-15^\circ \sim +90^\circ$		Pivot: $\pm 180^\circ$	
	VESA 75x75mm \ 100x100mm			
	Packing Size	Inner: 550x305x145mm	Master: 570x320x455mm	Inner/Master : 3/1
	N.W	Inner 5.8kg	Master 6.6kg	
	G.W	Inner 17.5kg	Master 21kg	
	Desktop Thickness	Grommet :10~80mm	Clamp :10~80mm	



“





Click here to
chat with us

For Enquiry : +91 98430 44400

www.imageicon.in

